

TABLE OF CONTENTS

IPU.1 _____ TABLE OF CONTENTS & REVISION HISTORY

IPU.2 _____ SOURCE BUS INTERFACE & OPCODE CRACKER

 IPU.2 CRKOP0.1 _____ EVEN INSTRUCTION CRACKER

 IPU.2 CRKOPI.1 _____ ODD INSTRUCTION CRACKER

 IPU.2 SCAN.1 _____ SOURCE RAM SCAN REGISTER

 IPU.2 SRCREG.1 _____ SOURCE BUS RAMS

IPU.3 _____ ICACHE & BYPASS PATH

 IPU.3 ICACHE.1 _____ ICACHE RAMS

IPU.4 _____ ICACHE OUTPUT INSTRUCTION DECODING

IPU.5 _____ ICACHE OUTPUT DISPLACEMENT FIELD DECODING & SCAN REGISTER

IPU.6 _____ PROGRAM COUNTER

IPU.7 _____ BRANCH ADDRESS REGISTER

IPU.8 _____ CURRENT ADDRESS REGISTER

IPU.9 _____ ICACHE TAG ADDRESS GENERATOR

IPU.10 _____ DISPATCH DECODING

IPU.11 _____ IMMEDIATE FIELD

IPU.12 _____ STATE MACHINES

IPU.13 _____ ADDRESS QUEUE

IPU.14 _____ SCAN COMMANDS & STATE MACHINE SCAN REGISTER

IPU.15 _____ DISPATCH CLOCK STOP LOGIC

IPU.16 _____ SCAN RING DESKEWING

IPU.17 _____ 20MHZ & PHASE INTERFACE

IPU.18 _____ LOOKAHEAD ADDRESS REGISTER

IPU.19 _____ ICACHE ADDRESS DECODING

IPU.20 _____ ICACHE TAGS

IPU.21 _____ CLOCKS

IPU.22 _____ CLOCKS

IPU.23 _____ SCAN CONTROL AND RESET LOGIC

IPU.24 _____ DESTINATION SCAN REGISTER & DST TO SRC BYPASS

IPU.25 _____ COPP, ERROR LOGIC & MISC LOGIC

IPU.26 _____ MISC LOGIC

IPU.27 _____ MISC LOGIC

IPU.28 _____ DESTINATION BUS PARITY LOGIC

IPU.29 _____ SPARES

IPU.30 _____ J2

IPU.31 _____ P1

IPU.32 _____ P2

IPU.33 _____ P3

IPU.34 _____ P4

IPU.35 _____ P5

IPU.36 _____ J3

ECN LOG

ECN#	AFFECTS PAGES	COMMENTS

DEFINE
X_FIRST=0
X_STEP=SIZE

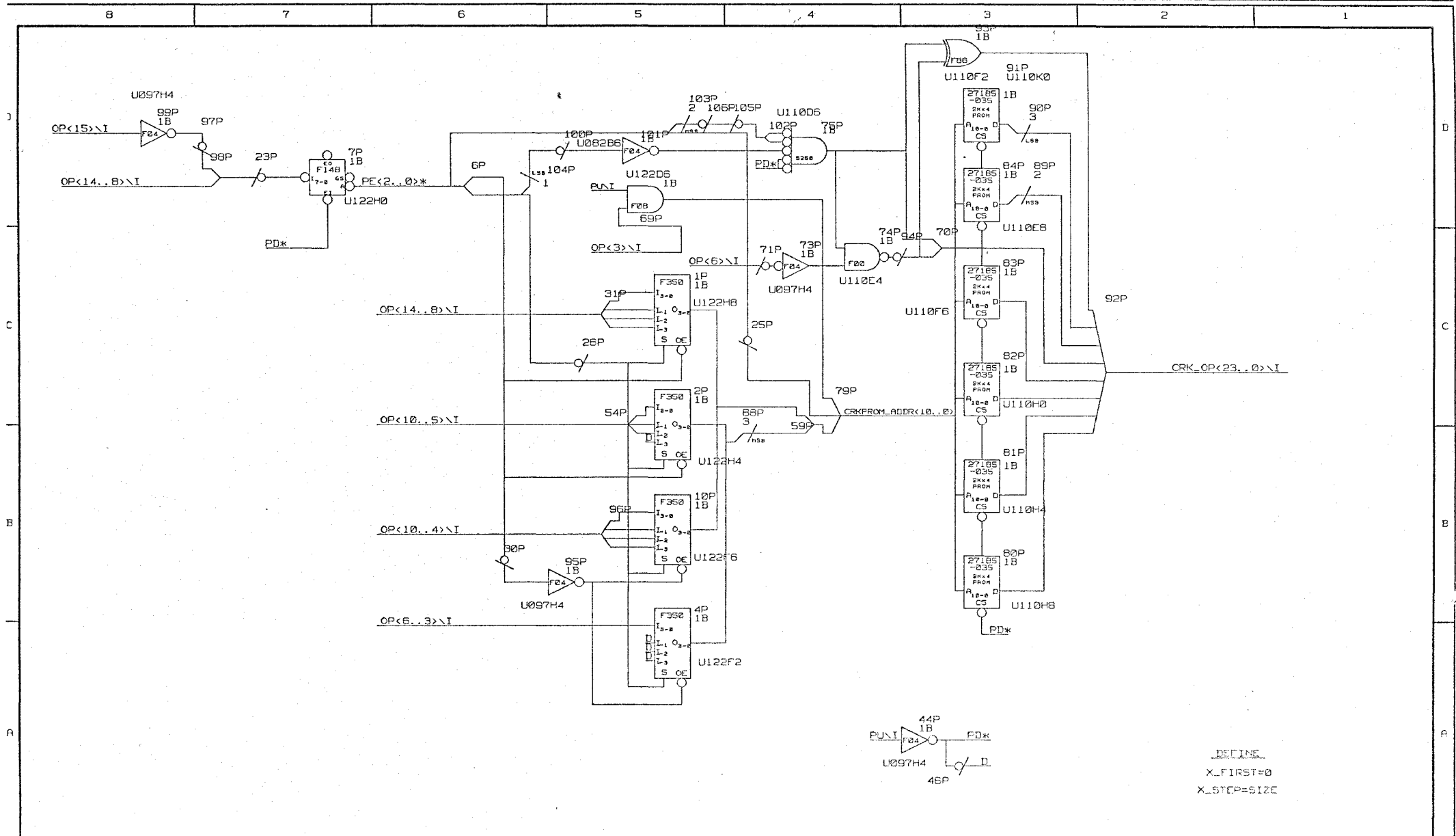
THIS DOCUMENT CONTAINS INFORMATION PROPRIETARY TO CONVEX COMPUTER CORPORATION (CONVEX). USE OR DISCLOSURE WITHOUT THE WRITTEN PERMISSION OF AN OFFICER OF CONVEX IS EXPRESSLY FORBIDDEN. COPYRIGHT (C) CONVEX 1985



CONVEX

TITLE: IPU
DRAWING: 410-200185-32NF
REVISOR: Thu Jun 29 11:02:42 1985
PAGE: IPU.1 OF 35

ASSN: IPU
ENGR: HARRIS

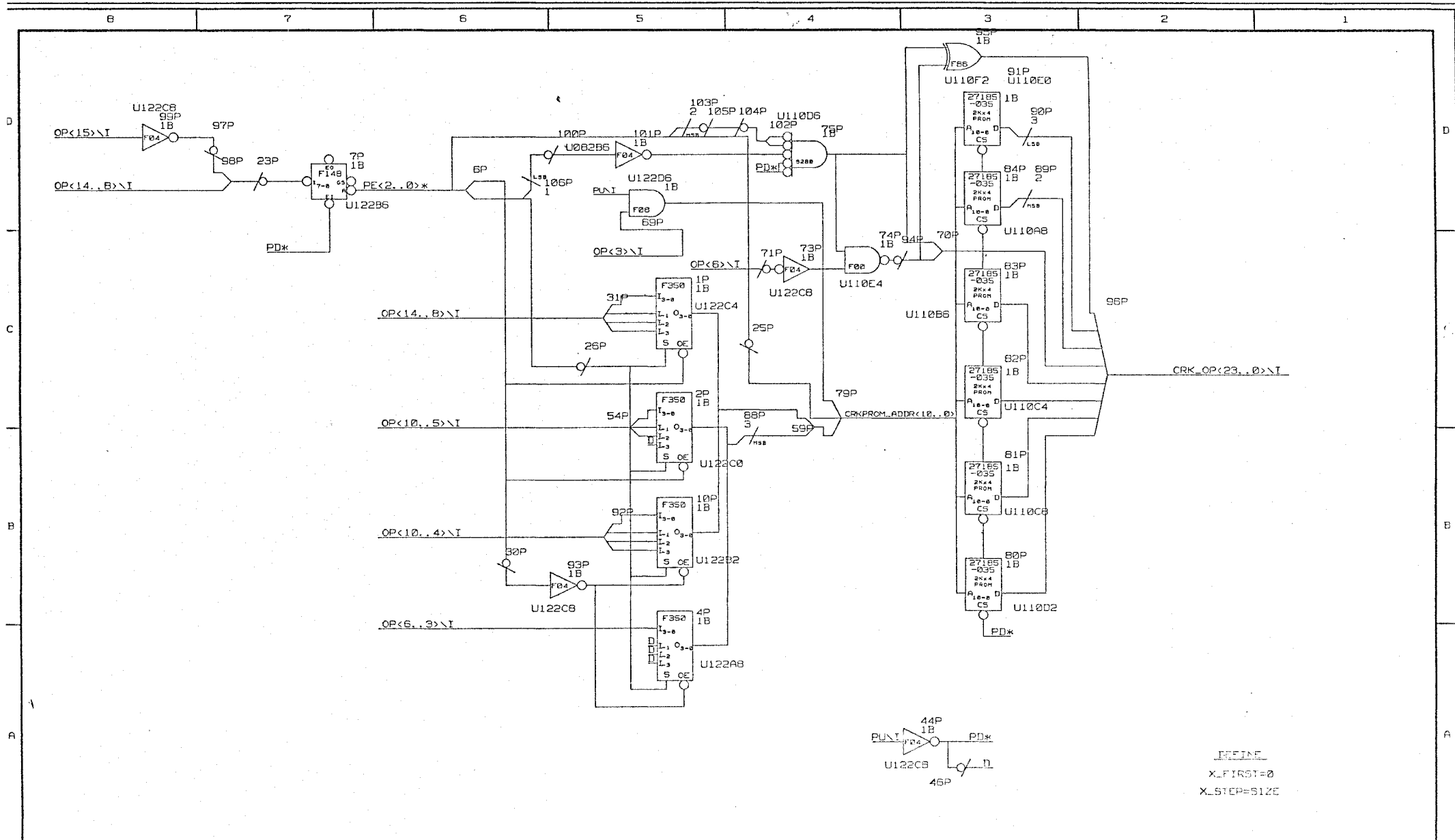


THIS DOCUMENT CONTAINS INFORMATION PROPRIETARY TO CONVEX COMPUTER CORPORATION (CONVEX). USE OR DISCLOSURE WITHOUT THE WRITTEN PERMISSION OF AN OFFICER OF CONVEX IS EXPRESSLY FORBIDDEN. COPYRIGHT (C) CONVEX 1985



CONVEX

TITLE: CRKOPB	REQ: CRKOPB
DRAWING: 410-200126-200F	ENGR: HARRIS
REVISED: Tue Jan 29 11:24:51 1985	PAGE: IPL 2 CRKOPB.1 OF 1



THIS DOCUMENT CONTAINS INFORMATION PROPRIETARY TO CONVEX COMPUTER CORPORATION (CONVEX). USE OR DISCLOSURE WITHOUT THE WRITTEN PERMISSION OF AN OFFICER OF CONVEX IS EXPRESSLY FORBIDDEN. COPYRIGHT (C) CONVEX 1985

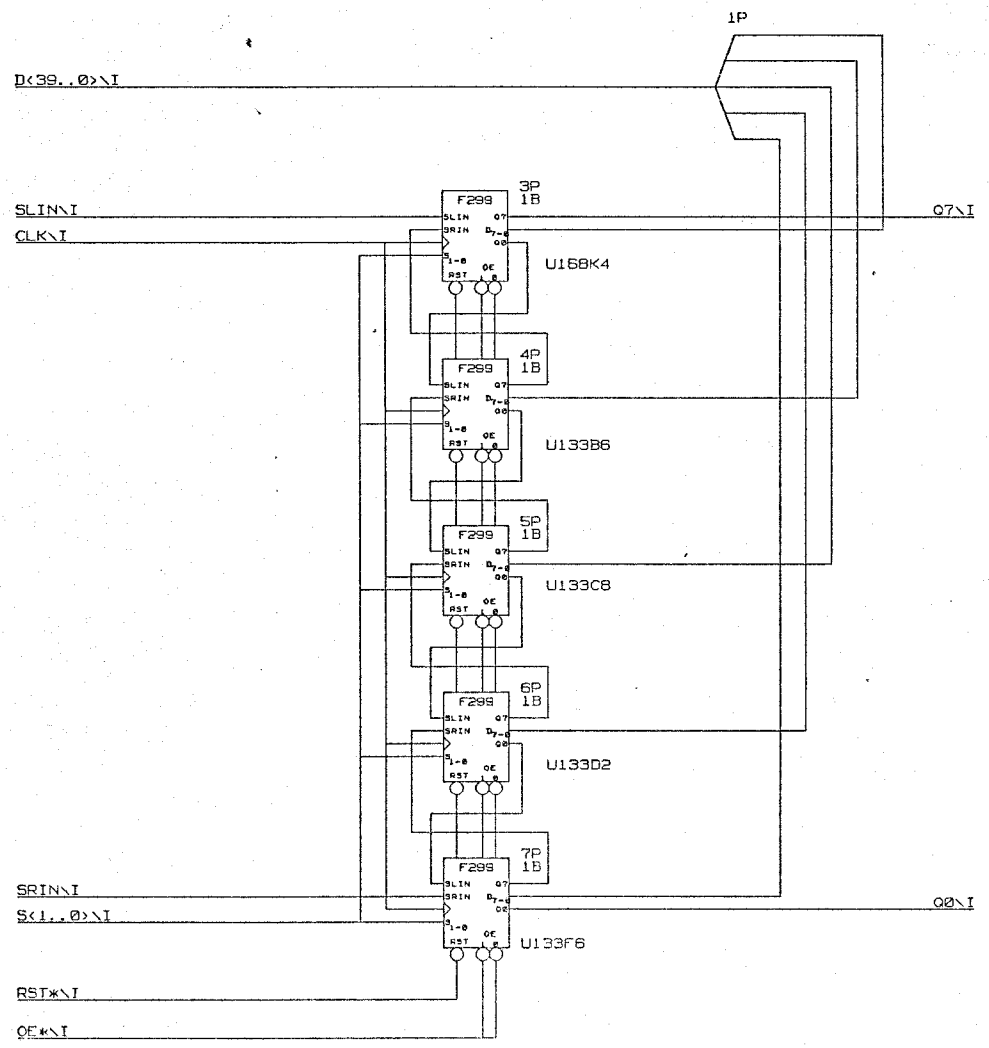


CONVEX

TITLE: CRKOP1	DESIGNER: CRKOP1
DRAWING: 410-000126-500F	ENGINEER: HARRIS
REVISED: 1st Jan 89 11:02:00 1985	PAGE: 100000001.1 OF 1

8 7 6 5 4 3 2 1

D
C
B
A



DECLINE
X_FIRST=0
X_STEP=SIZE

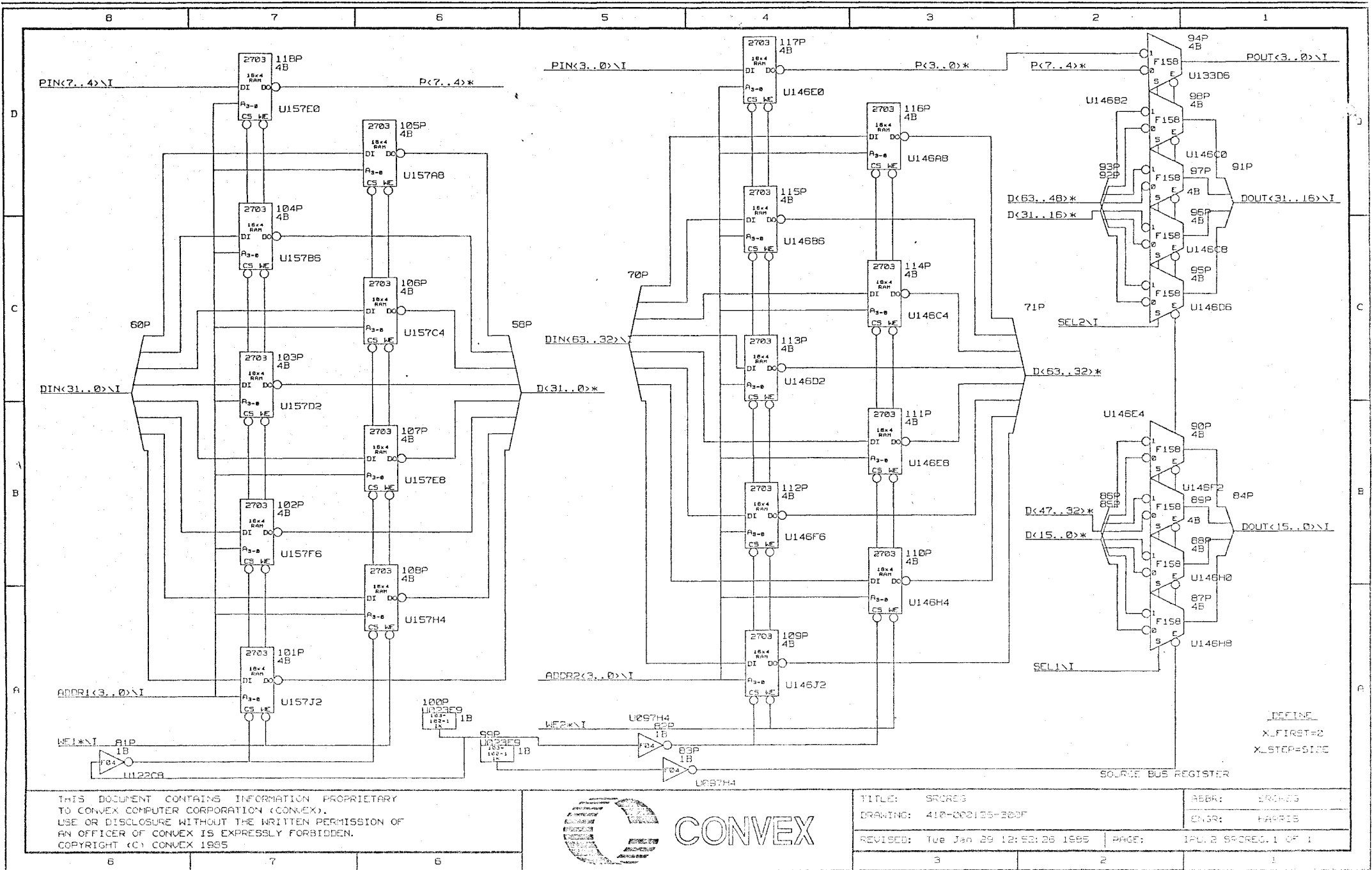
THIS DOCUMENT CONTAINS INFORMATION PROPRIETARY TO CONVEX COMPUTER CORPORATION (CONVEX). USE OR DISCLOSURE WITHOUT THE WRITTEN PERMISSION OF AN OFFICER OF CONVEX IS EXPRESSLY FORBIDDEN. COPYRIGHT (C) CONVEX 1985



CONVEX

TITLE: SCAN	APPN: SCAN
DRAWING: 410-000125-300F	ENGR: HARRIS
REVISED: Tue Jan 29 12:49:02 1985	PAGE: IPL 2 SCAN 1 OF 1

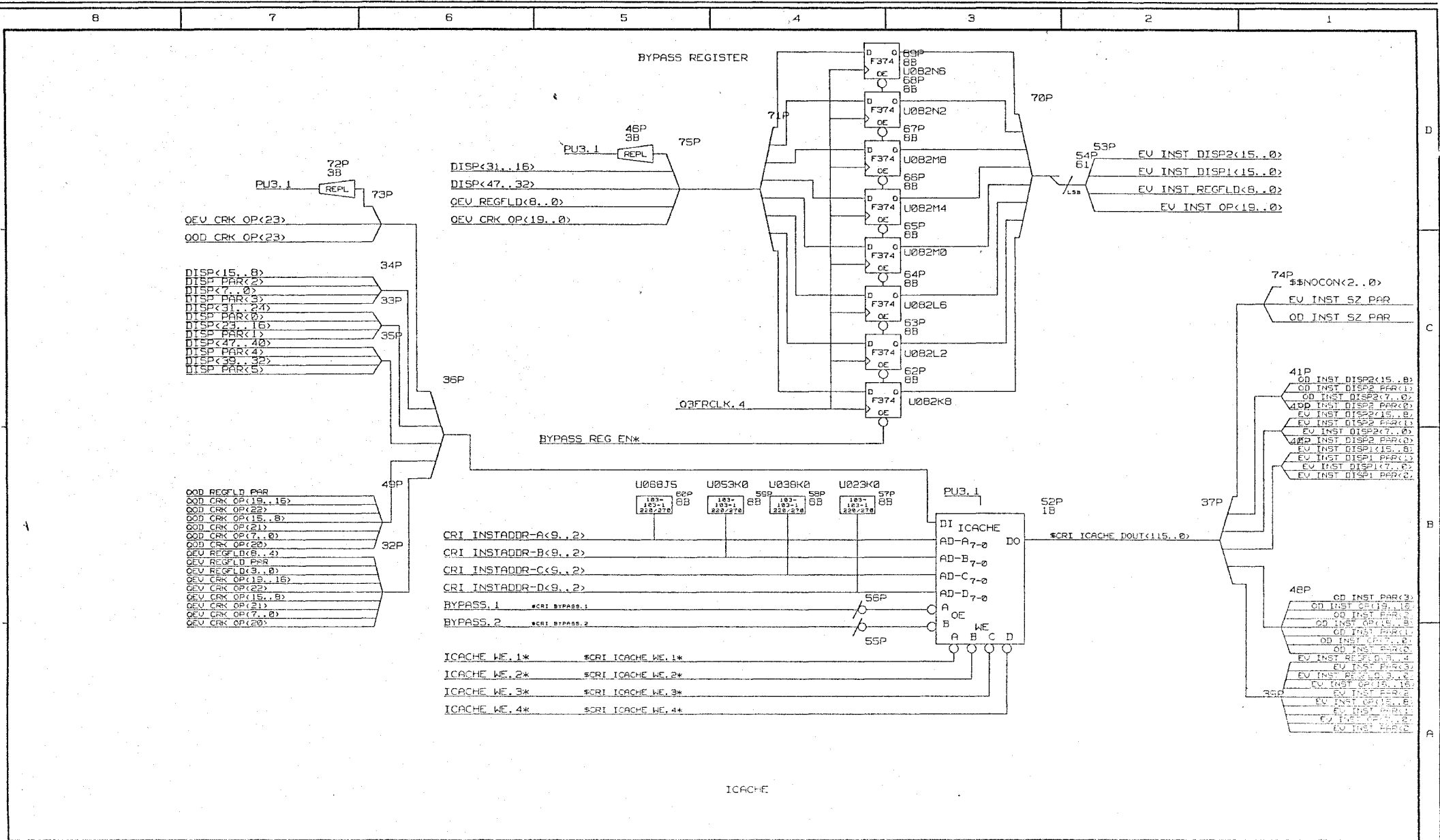
8 7 6 5 4 3 2 1



THIS DOCUMENT CONTAINS INFORMATION PROPRIETARY TO CONVEX COMPUTER CORPORATION (CONVEX). USE OR DISCLOSURE WITHOUT THE WRITTEN PERMISSION OF AN OFFICER OF CONVEX IS EXPRESSLY FORBIDDEN. COPYRIGHT (C) CONVEX 1985



TITLE: SROCR3	ABBR: SROCR3
DRAWING: 410-000105-000F	ENGR: HARRIS
REVISED: Tue Jan 29 12:53:25 1985	PAGE: 1/4.2 SROCR3.1 OF 1



THIS DOCUMENT CONTAINS INFORMATION PROPRIETARY TO CONVEX COMPUTER CORPORATION (CONVEX). USE OR DISCLOSURE WITHOUT THE WRITTEN PERMISSION OF AN OFFICER OF CONVEX IS EXPRESSLY FORBIDDEN. COPYRIGHT (C) CONVEX 1985

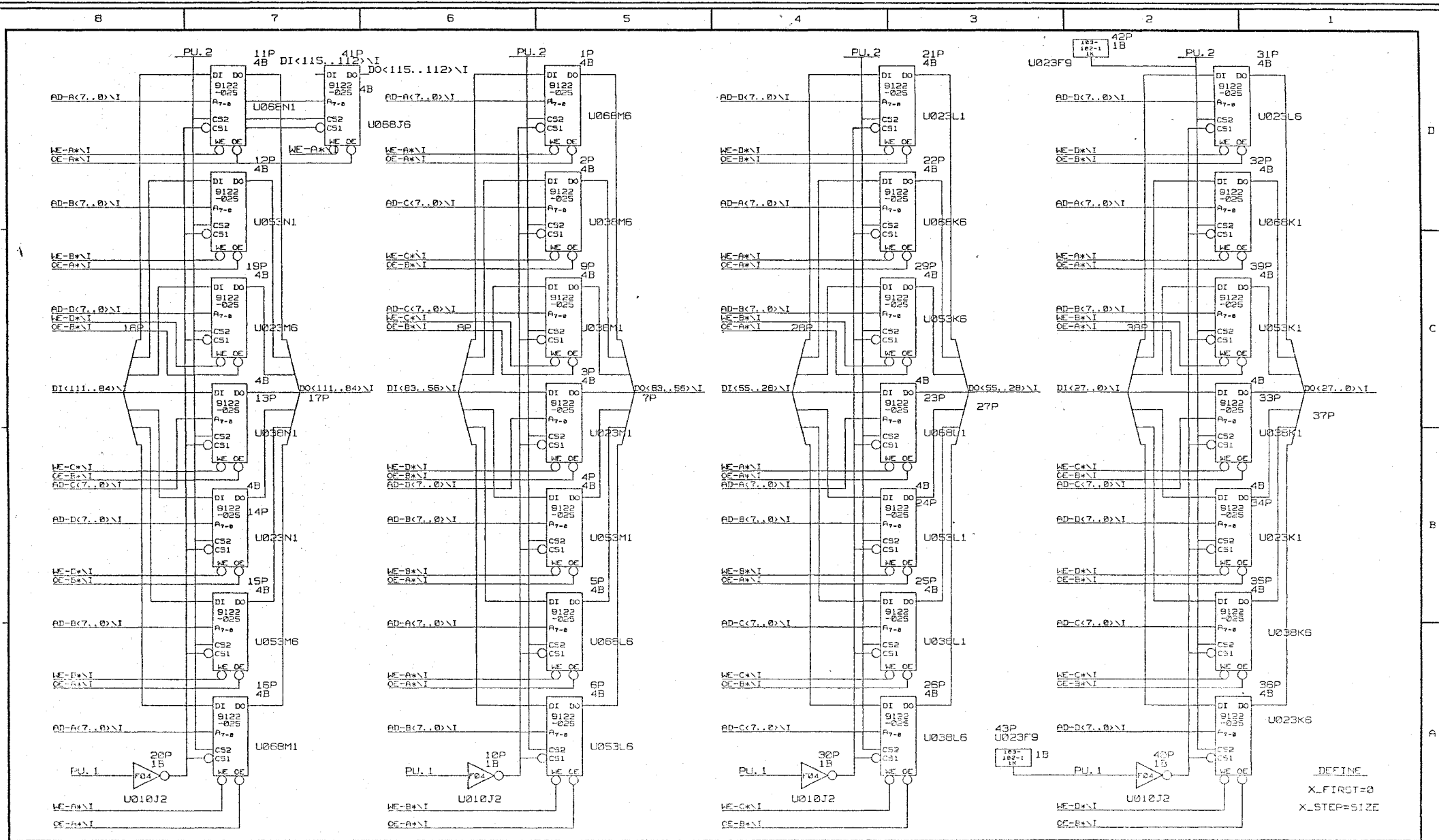


CONVEX

TITLE: IPU
DRAWING: 410-000126-300F
REVISED: Tue Jan 29 11:09:11 1985

AREA: IPU
ENGR: HARRIS

PAGE: IPU.3



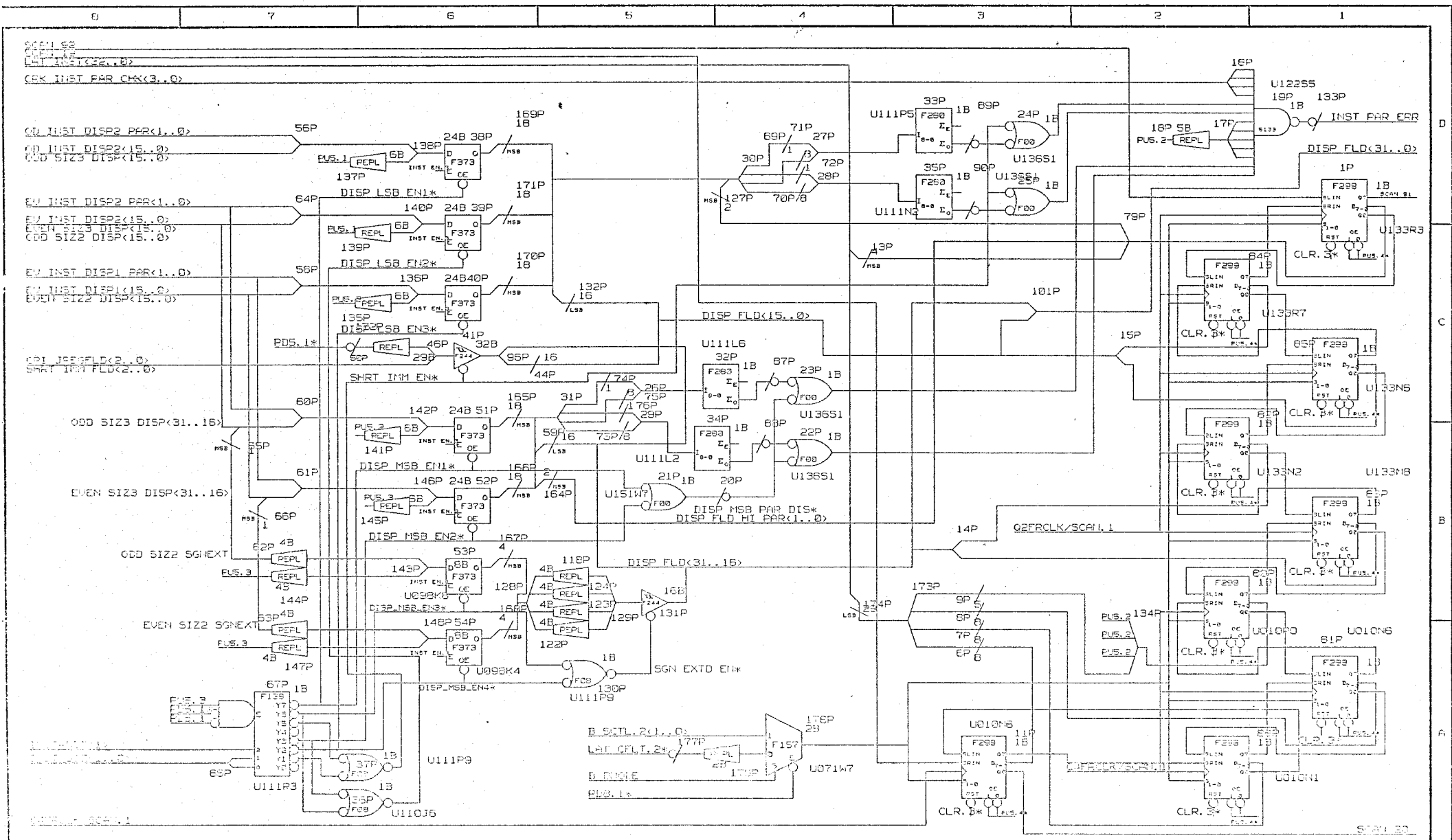
THIS DOCUMENT CONTAINS INFORMATION PROPRIETARY TO CONVEX COMPUTER CORPORATION (CONVEX). USE OR DISCLOSURE WITHOUT THE WRITTEN PERMISSION OF AN OFFICER OF CONVEX IS EXPRESSLY FORBIDDEN. COPYRIGHT (C) CONVEX 1985



CONVEX

TITLE: ICACHE	DESIGNER: ICACHE
DRAWING: 412-000125-300F	ENGR: HARRIS
REVISED: Tue Jan 29 10:58:33 1985	PAGE: IPU.3 ICACHE.1 OF 1

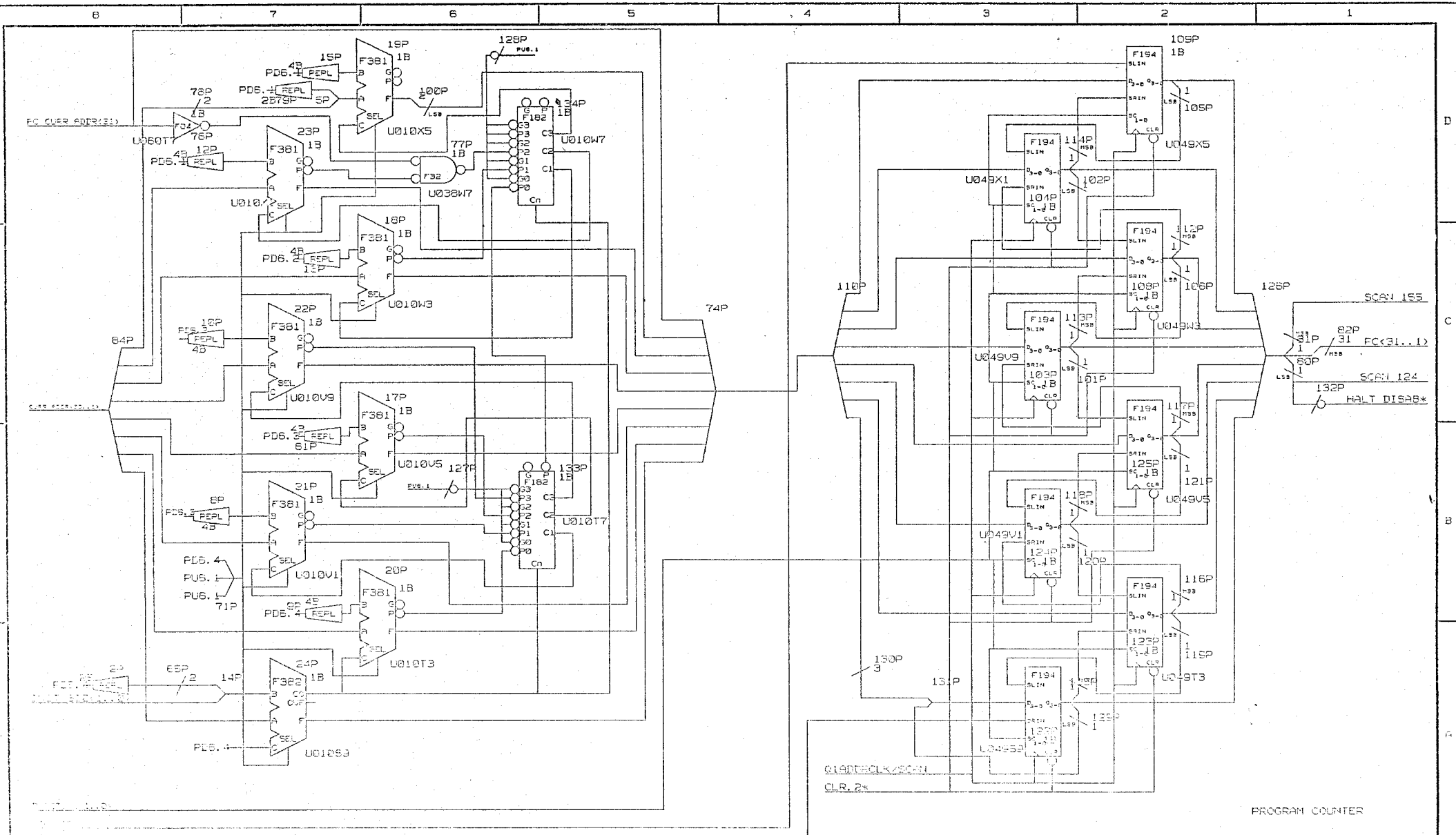
DEFINE
X_FIRST=0
X_STEP=SIZE



THIS DOCUMENT CONTAINS INFORMATION PROPRIETARY TO CONVEX COMPUTER CORPORATION (CONVEX). ONE OR ITS DISCLOSURE WITHOUT THE WRITTEN PERMISSION OF CONVEX OR CONVEX IS EXPRESSLY FORBIDDEN. © 1984 CONVEX 1984



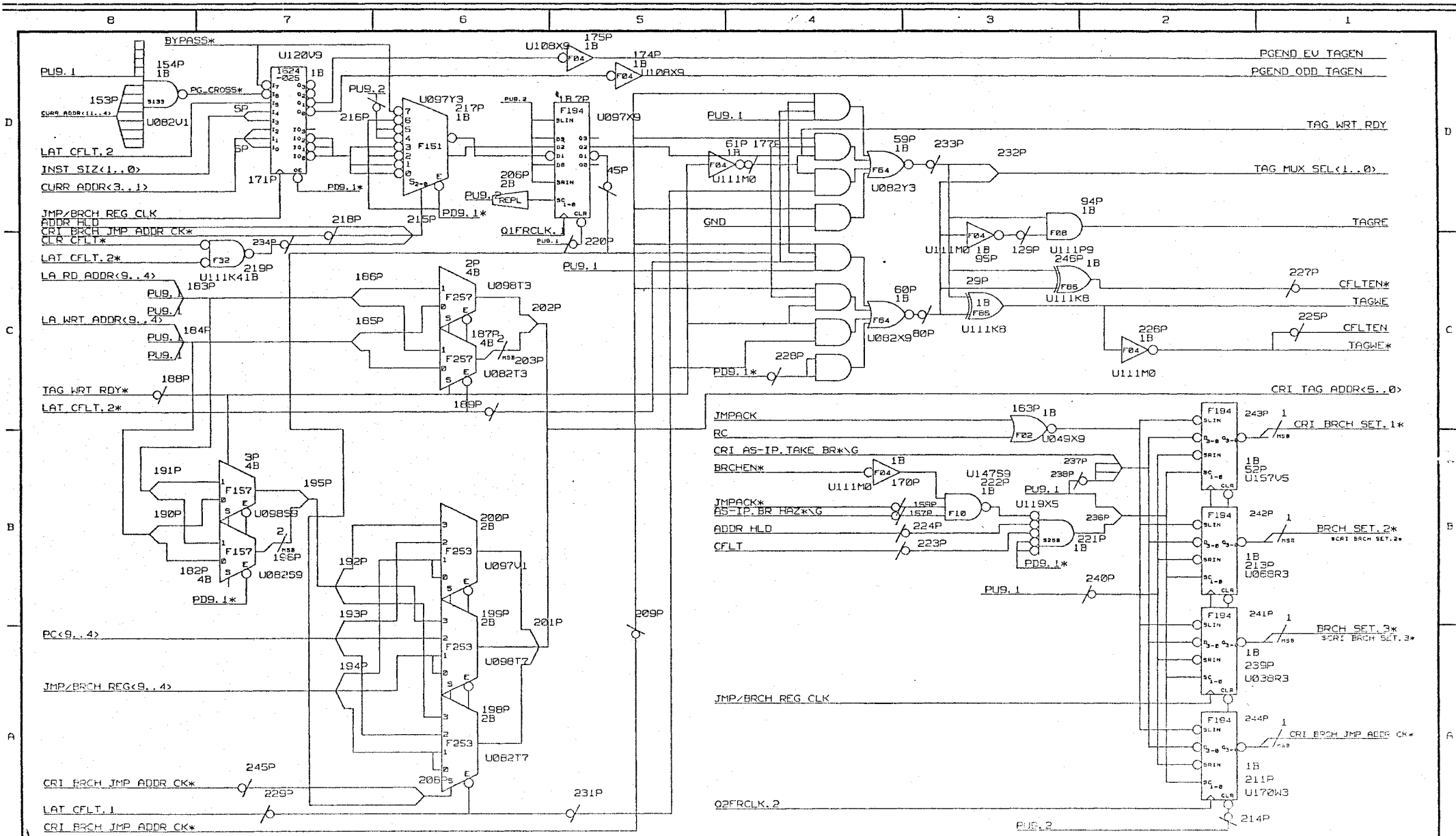
TITLE:	IPU INSTRUCTION DECODE	REFR:	IPU
DRAWING:	410-000122-000 REV E.01	ENGR:	W.F.F.13
REVISED:	Thu Dec 20 15:12:32 1984	PAGE:	IPU.5



THIS DOCUMENT CONTAINS INFORMATION PRELIMINARY TO THE DEVELOPMENT OF A COMMERCIAL PRODUCT. IT IS NOT TO BE DISCLOSED WITHOUT THE WRITTEN PERMISSION OF CONVEX INCORPORATED. DISSEMINATION IS EXPRESSLY FORBIDDEN. CONVEX INCORPORATED, 1974



TITLE: IFS	FORM: IFS
DATE: 11-03-73 REV. 0.71	ENGR: RYD/RS
REVISED: Thu Dec 20 19:14:48 1974	PAGE: IFS.5

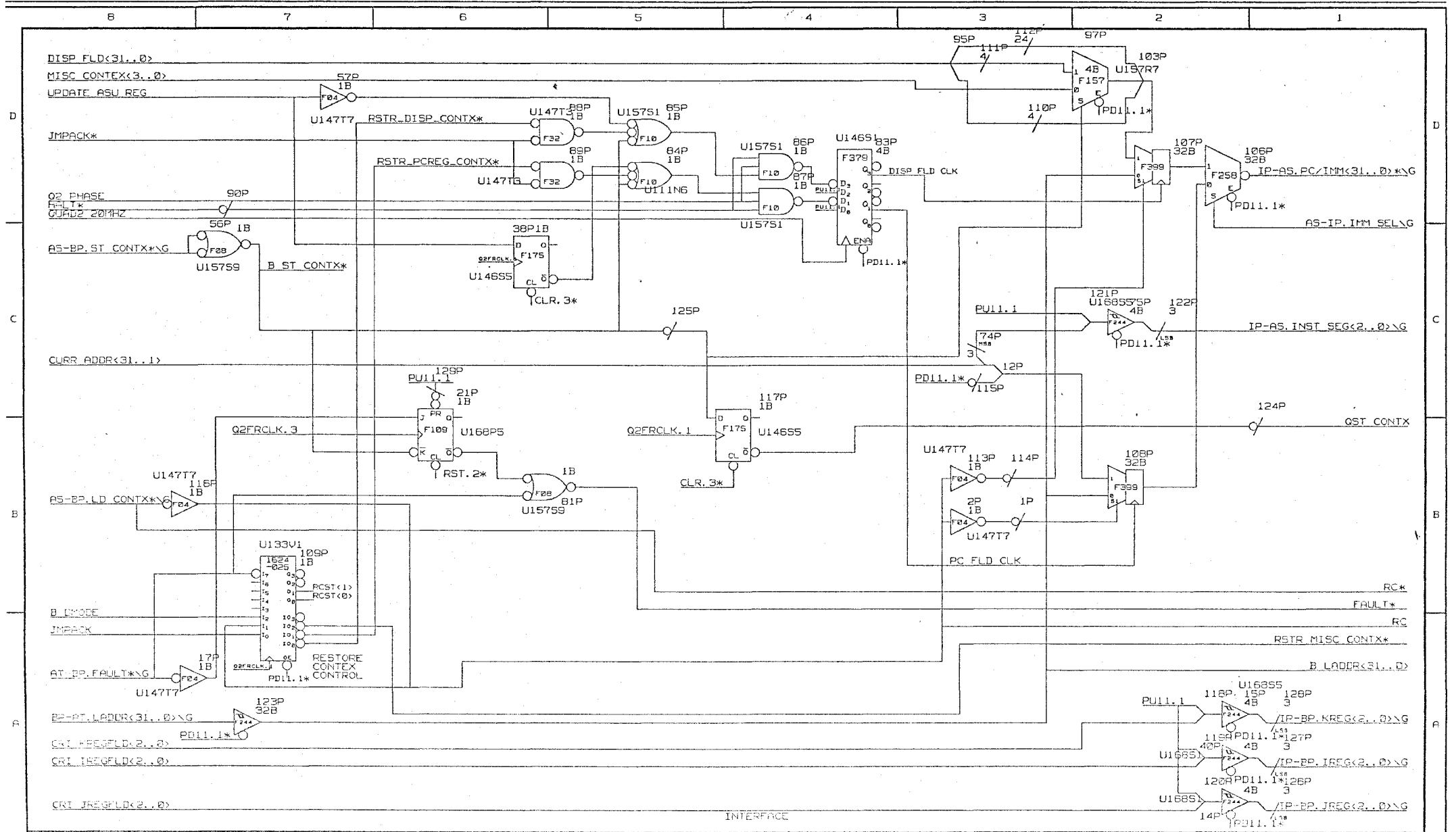


THIS DOCUMENT CONTAINS INFORMATION PROPRIETARY TO CONVEX COMPUTER CORPORATION (CONVEX). USE OR DISCLOSURE WITHOUT THE WRITTEN PERMISSION OF AN OFFICER OF CONVEX IS EXPRESSLY FORBIDDEN. COPYRIGHT (C) CONVEX 1985



CONVEX

TITLE: IPU	REVISION: 1
DRAWING: 410-000105-300F	ENGR: HARRIS
REVISED: Tue Jan 29 11:26:36 1985	PAGE: IPU.9



INTERFACE

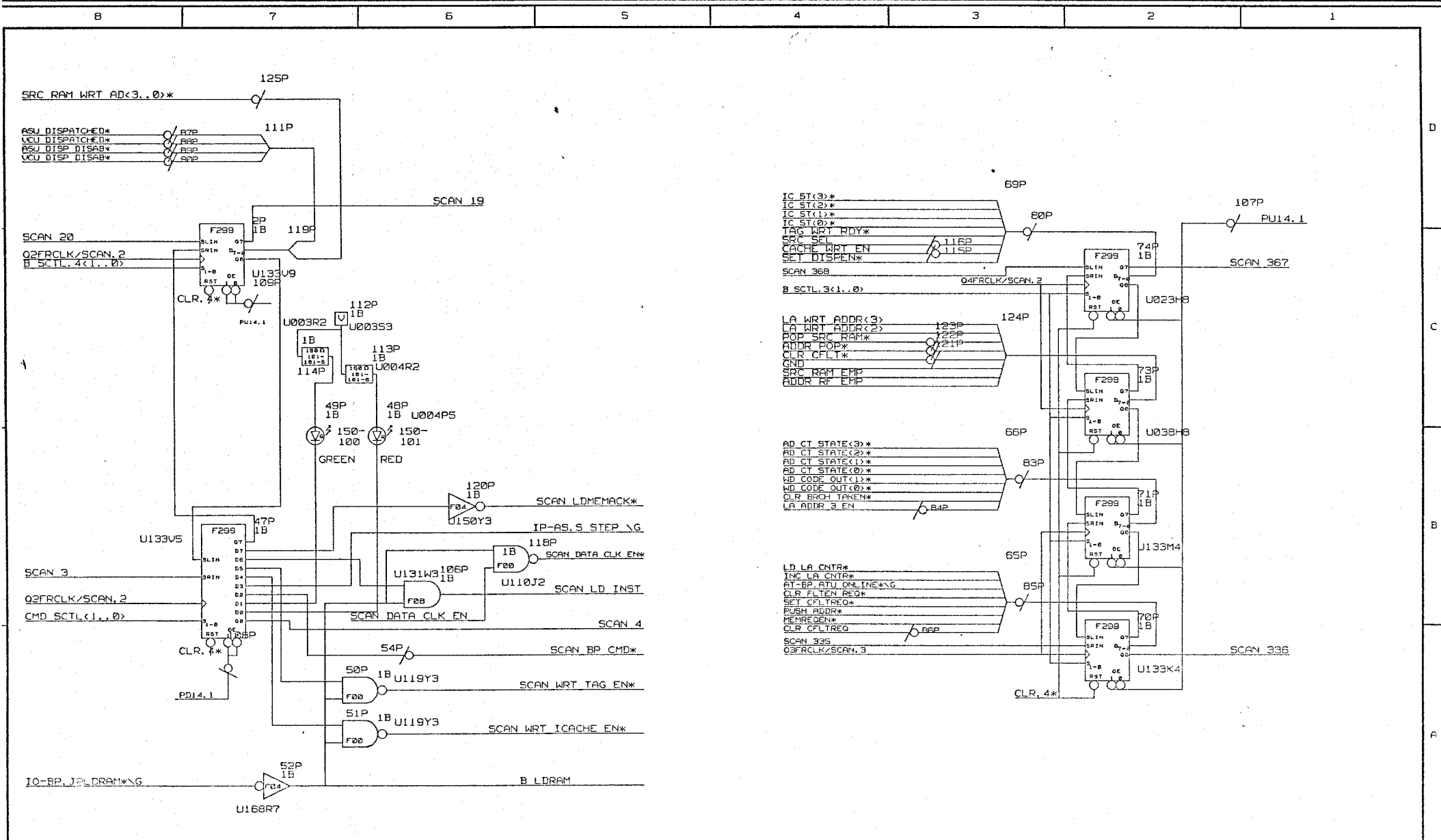
THIS DOCUMENT CONTAINS INFORMATION PROPRIETARY TO CONVEX COMPUTER CORPORATION (CONVEX). USE OF DISCLOSURE WITHOUT THE WRITTEN PERMISSION OF AN OFFICER OF CONVEX IS EXPRESSLY FORBIDDEN. COPYRIGHT (C) CONVEX 1985



CONVEX

TITLE: IPU
DRAWING: 410-000129-300F
REVISED: Tue Jan 29 11:31:13 1985

ABER: IPU
ENGR: HARRIS
PAGE: IPU.11



THIS DOCUMENT CONTAINS INFORMATION PROPRIETARY TO CONVEX COMPUTER CORPORATION (CONVEX). USE OR DISCLOSURE WITHOUT THE WRITTEN PERMISSION OF AN OFFICER OF CONVEX IS EXPRESSLY FORBIDDEN. COPYRIGHT (C) CONVEX 1985



CONVEX

TITLE: IPU
DRAWING: 410-020126-302F

ASDR: IPU
ENGR: HARRIS

REVISED: Tue Jan 29 11:40:21 1985

PAGE:

IPU.14

8

7

6

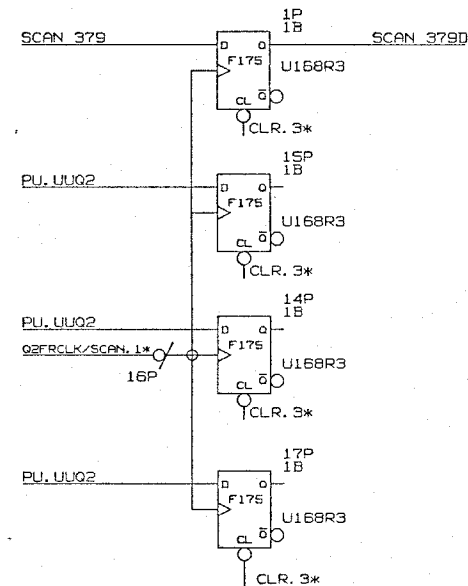
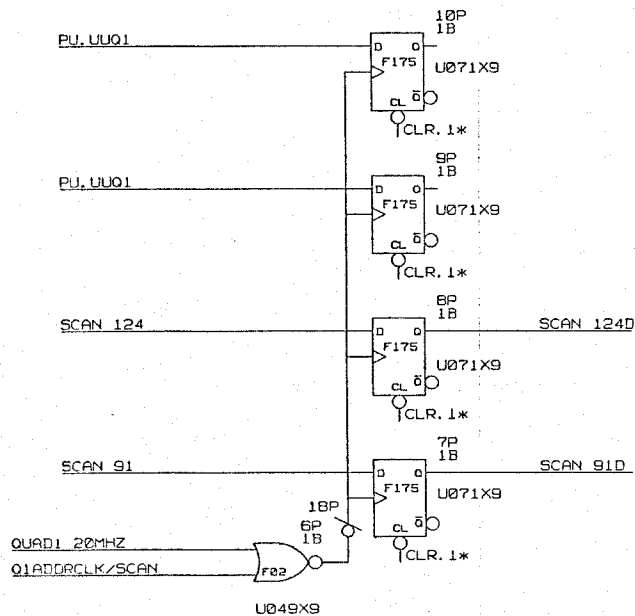
5

4

3

2

1



THIS DOCUMENT CONTAINS INFORMATION PROPRIETARY TO CONVEX COMPUTER CORPORATION (CONVEX). USE OR DISCLOSURE WITHOUT THE WRITTEN PERMISSION OF AN OFFICER OF CONVEX IS EXPRESSLY FORBIDDEN. COPYRIGHT (C) CONVEX 1985



CONVEX

TITLE: IPU
DRAWING: 410-200126-300F

ASBP: IPU
ENGR: HARRIS

REVISED: Tue Jan 29 11:43:20 1985 | PAGE: IPU.16

8

7

6

3

2

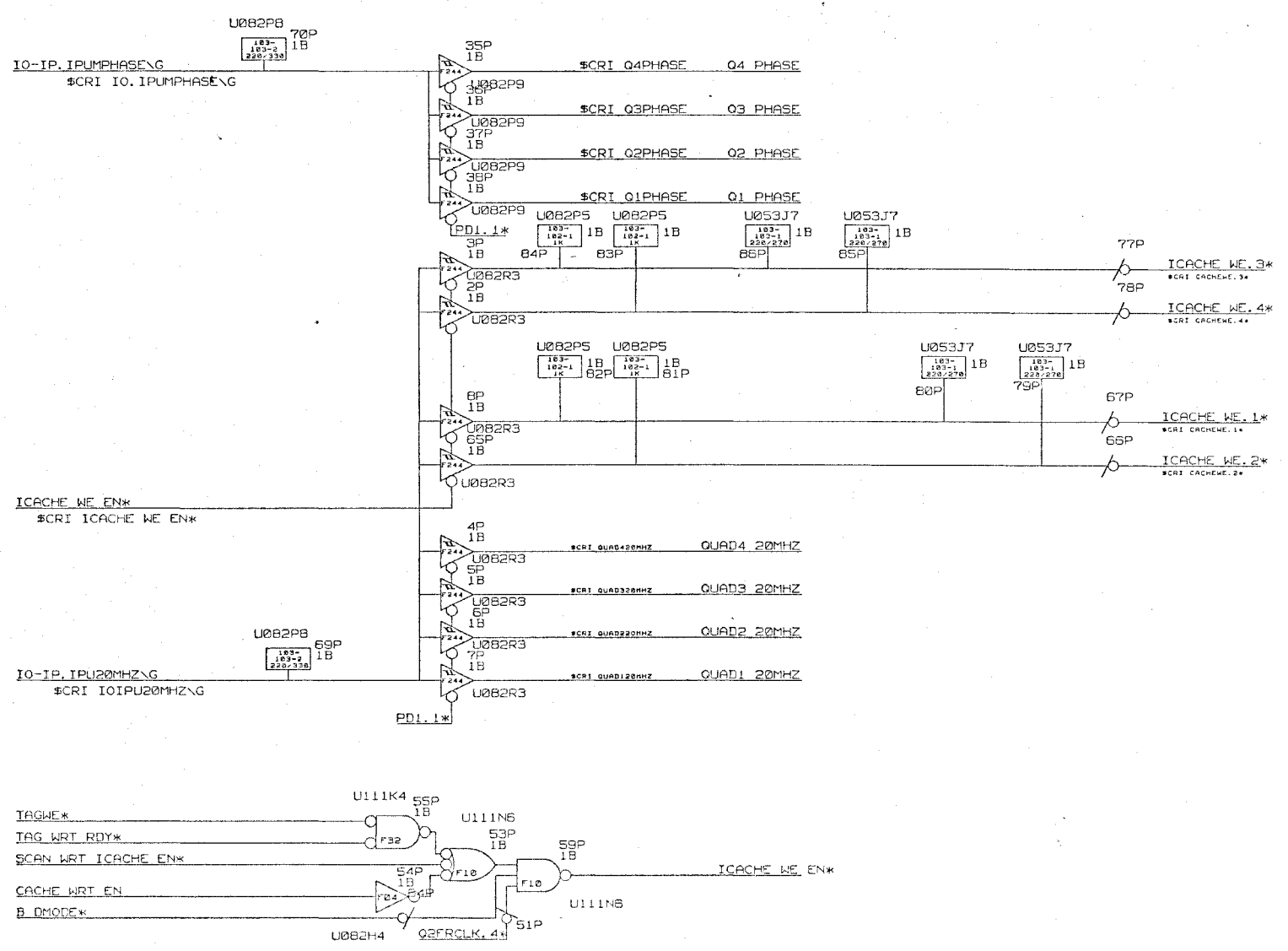
1

D

C

B

A

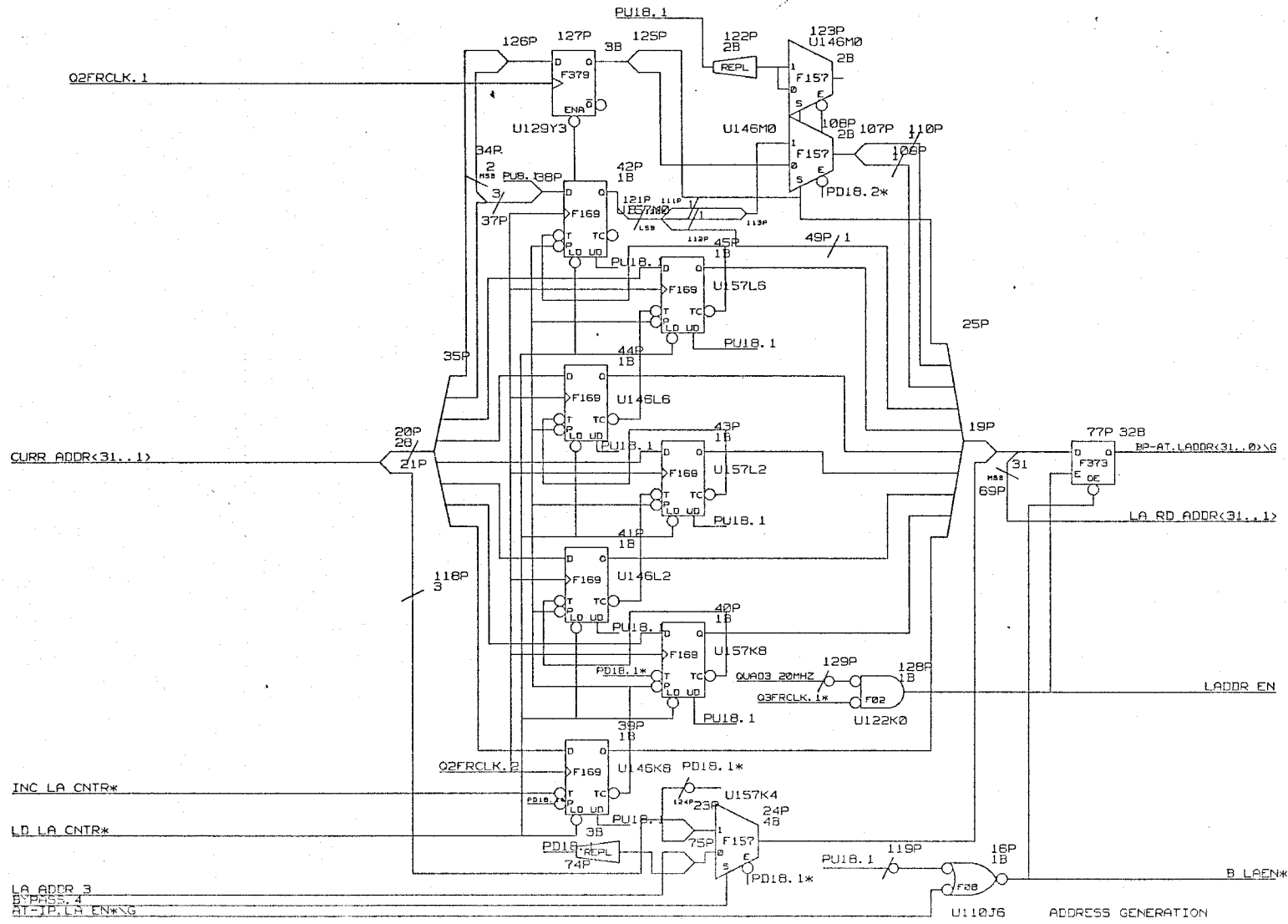


THIS DOCUMENT CONTAINS INFORMATION PROPRIETARY TO CONVEX COMPUTER CORPORATION (CONVEX). USE OR DISCLOSURE WITHOUT THE WRITTEN PERMISSION OF AN OFFICER OF CONVEX IS EXPRESSLY FORBIDDEN. COPYRIGHT (C) CONVEX 1985



CONVEX

TITLE: IPU	ASSN: IPU
DRAWING: 410-000126-302F	ENGR: HARRIS
REVISED: Tue Jan 29 11:44:00 1985	PAGE: IPU.17



THIS DOCUMENT CONTAINS INFORMATION PROPRIETARY TO CONVEX COMPUTER CORPORATION (CONVEX). USE OR DISCLOSURE WITHOUT THE WRITTEN PERMISSION OF AN OFFICER OF CONVEX IS EXPRESSLY FORBIDDEN. COPYRIGHT (C) CONVEX 1985



CONVEX

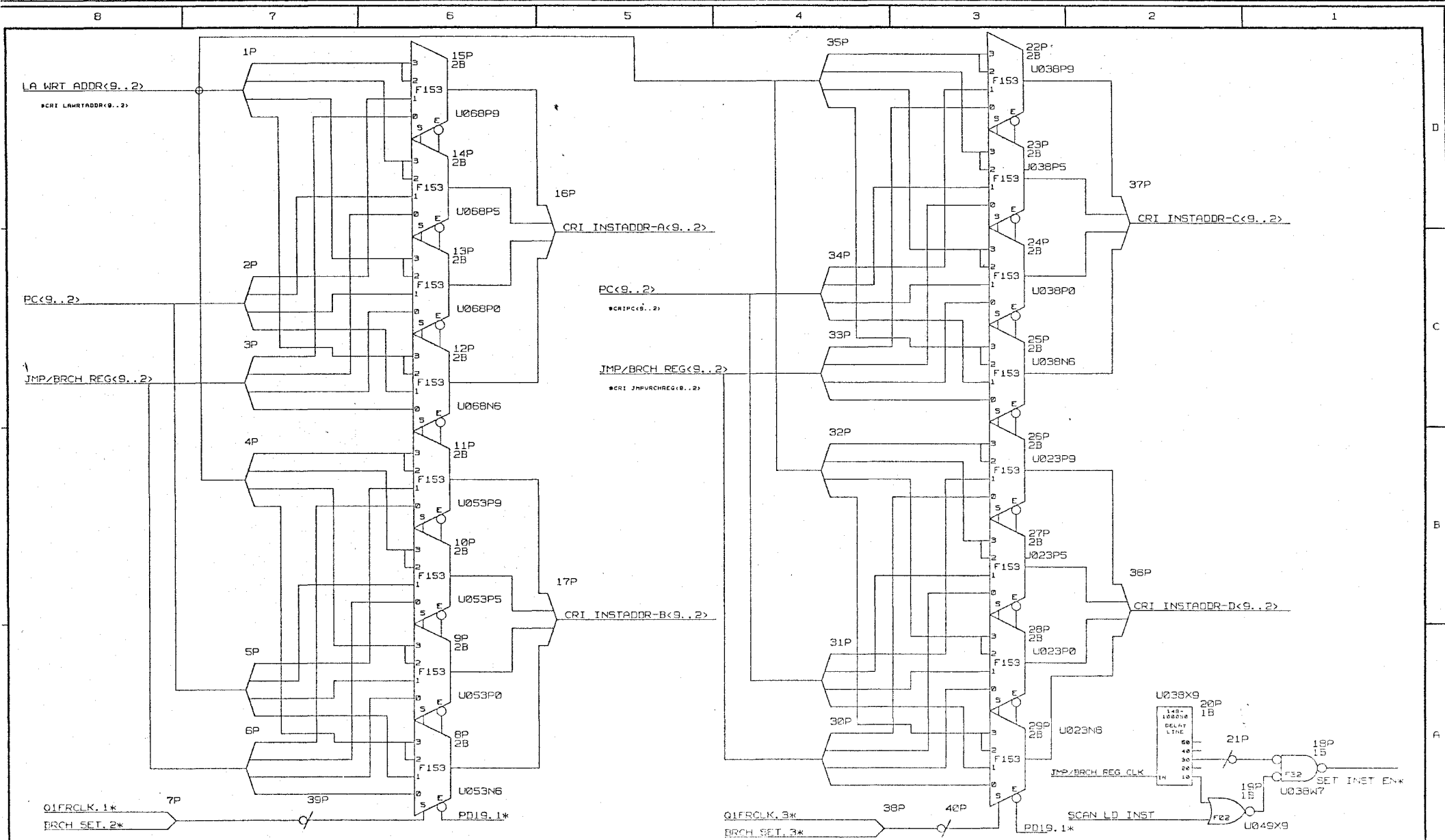
TITLE: IPU
DRAWING: 410-000135-300F

ABBR: IPU
ENGR: HARRIS

REVISED: Tue Jan 29 11:45:48 1985

PAGE:

IPU.18



THIS DOCUMENT CONTAINS INFORMATION PROPRIETARY TO CONVEX COMPUTER CORPORATION (CONVEX). USE OR DISCLOSURE WITHOUT THE WRITTEN PERMISSION OF AN OFFICER OF CONVEX IS EXPRESSLY FORBIDDEN. COPYRIGHT (C) CONVEX 1985



CONVEX

TITLE: IPU
 DRAWING: 410-200125-300F
 REVISED: Tue Jan 29 11:47:43 1985

ASBR: IPU
 ENCR: HARRIS
 PAGE: IPU.19

8

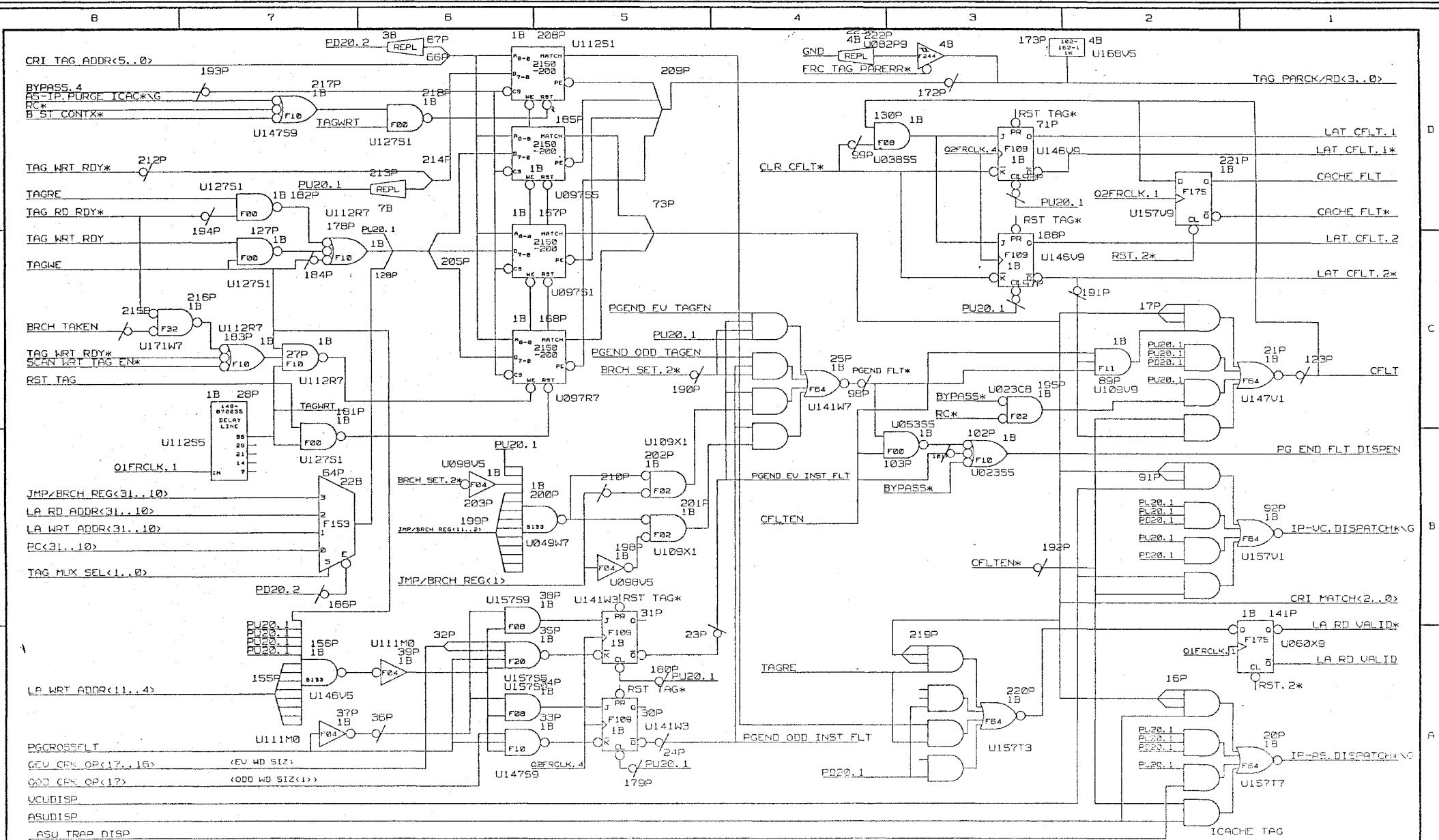
7

6

3

2

1

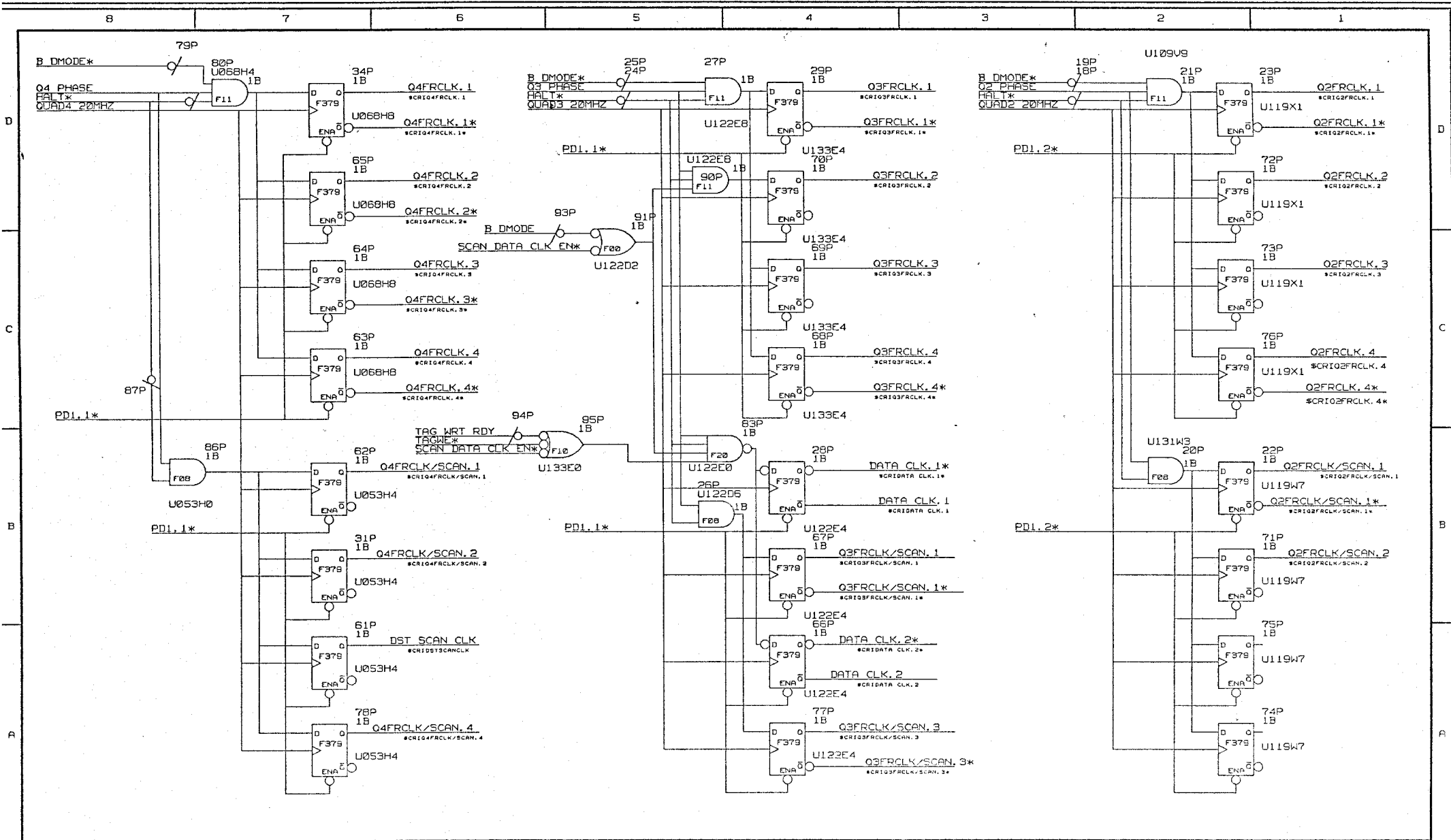


THIS DOCUMENT CONTAINS INFORMATION PROPRIETARY TO CONVEX COMPUTER CORPORATION (CONVEX). USE OR DISCLOSURE WITHOUT THE WRITTEN PERMISSION OF AN OFFICER OF CONVEX IS EXPRESSLY FORBIDDEN. COPYRIGHT (C) CONVEX 1985



CONVEX

TITLE: IPU	ASER: IPU
DRAWING: 410-020125-320F	ENGR: HARRIS
REVISED: Tue Jan 29 11:51:17 1985	PAGE: IPU.20



THIS DOCUMENT CONTAINS INFORMATION PROPRIETARY TO CONVEX COMPUTER CORPORATION (CONVEX). USE OR DISCLOSURE WITHOUT THE WRITTEN PERMISSION OF AN OFFICER OF CONVEX IS EXPRESSLY FORBIDDEN. COPYRIGHT (C) CONVEX 1985

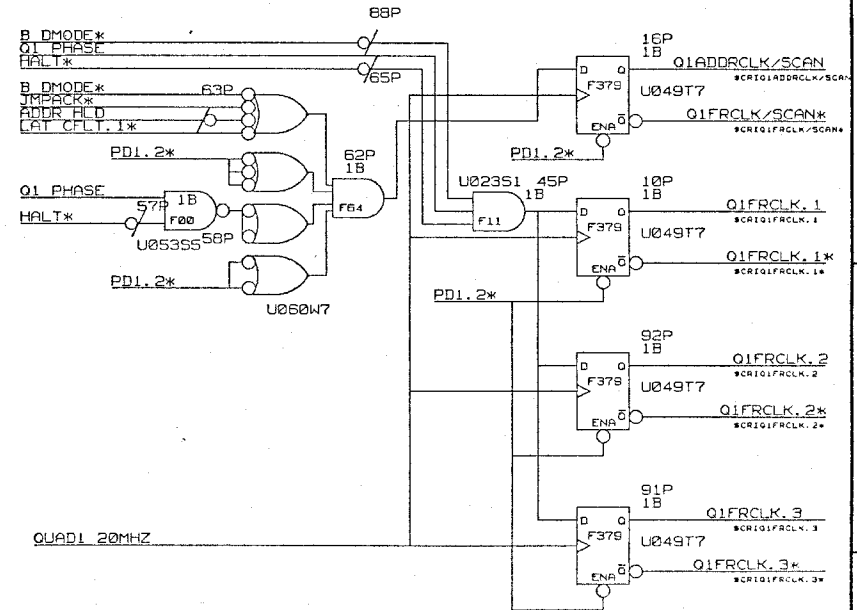
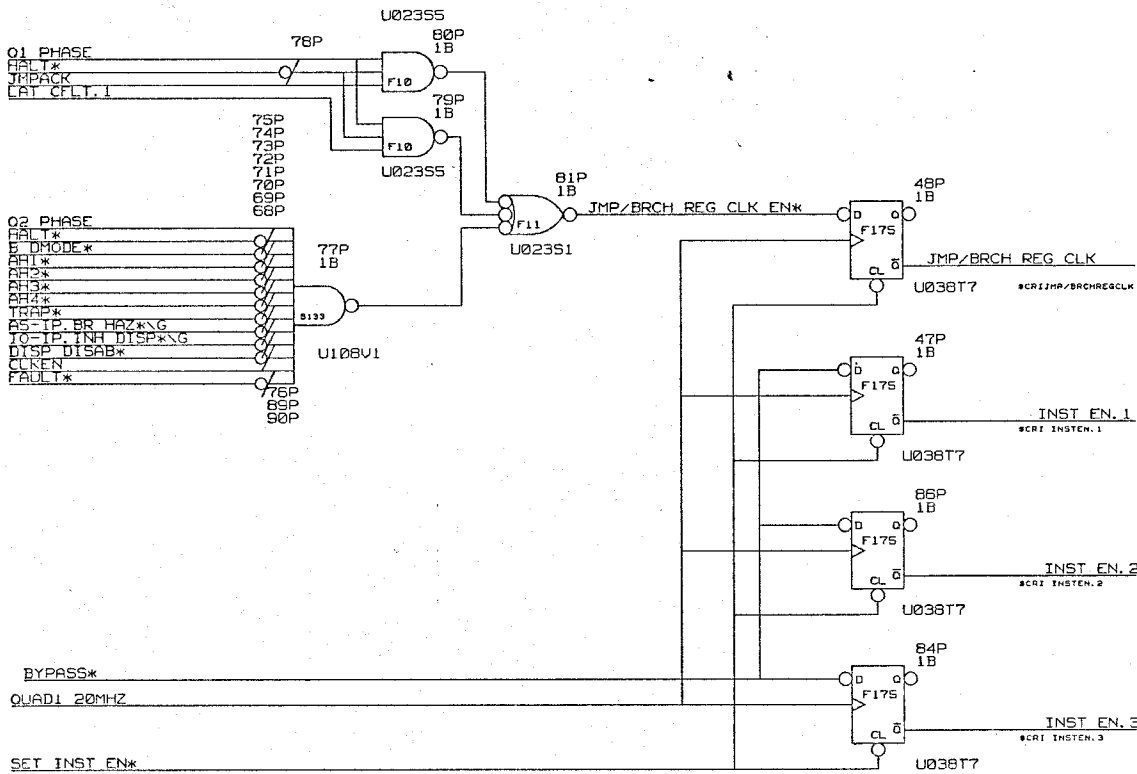


CONVEX

TITLE: IPU
DRAWING: 410-200126-300F
REVISED: Tue Jan 29 11:54:56 1985

ASSN: IPU
ENGR: HARRIS

PAGE: IPU.21



THIS DOCUMENT CONTAINS INFORMATION PROPRIETARY TO CONVEX COMPUTER CORPORATION (CONVEX). USE OR DISCLOSURE WITHOUT THE WRITTEN PERMISSION OF AN OFFICER OF CONVEX IS EXPRESSLY FORBIDDEN. COPYRIGHT (C) CONVEX 1985



TITLE: IPU
DRAWING: 410-000126-300F

ABBR: IPU
ENGR: HARRIS

REVISED: Thu Jan 29 11:56:54 1985

PAGE:

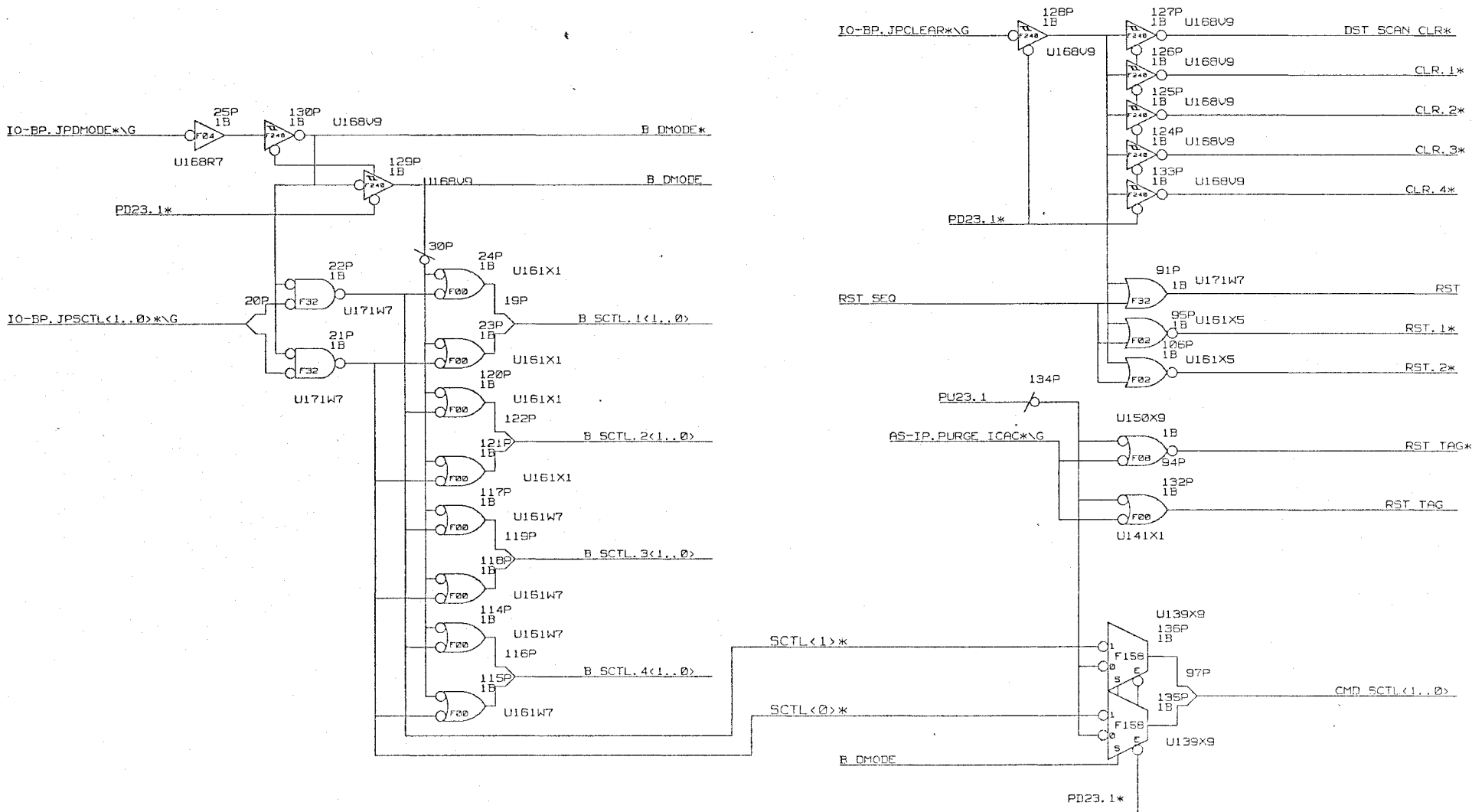
IPU. 22

D

C

B

A

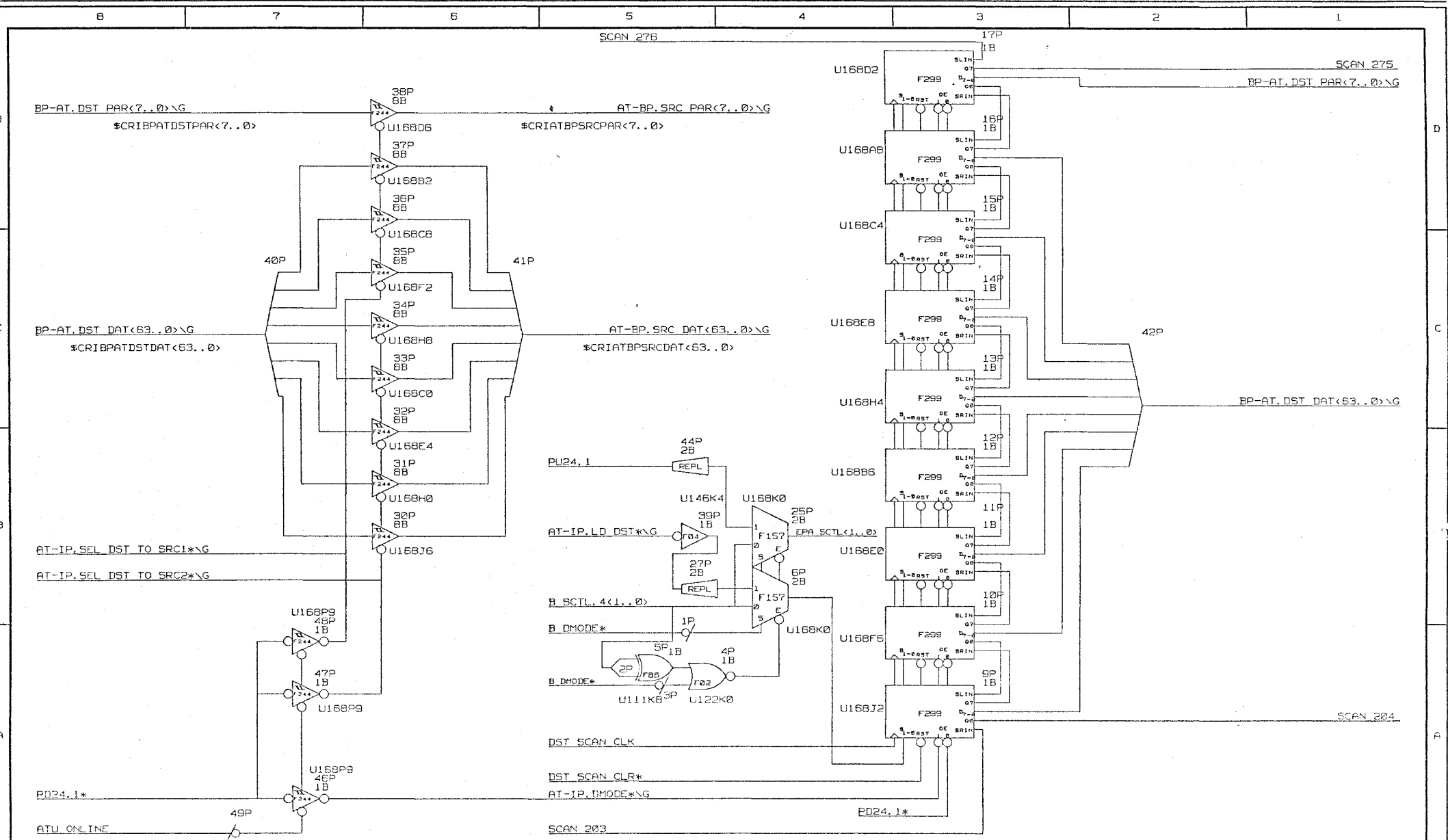


THIS DOCUMENT CONTAINS INFORMATION PROPRIETARY TO CONVEX COMPUTER CORPORATION (CONVEX). USE OR DISCLOSURE WITHOUT THE WRITTEN PERMISSION OF AN OFFICER OF CONVEX IS EXPRESSLY FORBIDDEN. COPYRIGHT (C) CONVEX 1985



CONVEX

TITLE: IPU	ASER: IPU
DRAWING: 410-002125-300F	ENGR: HARRIS
REVISED: Tue Jan 29 11:59:35 1985	PAGE: IPU.23

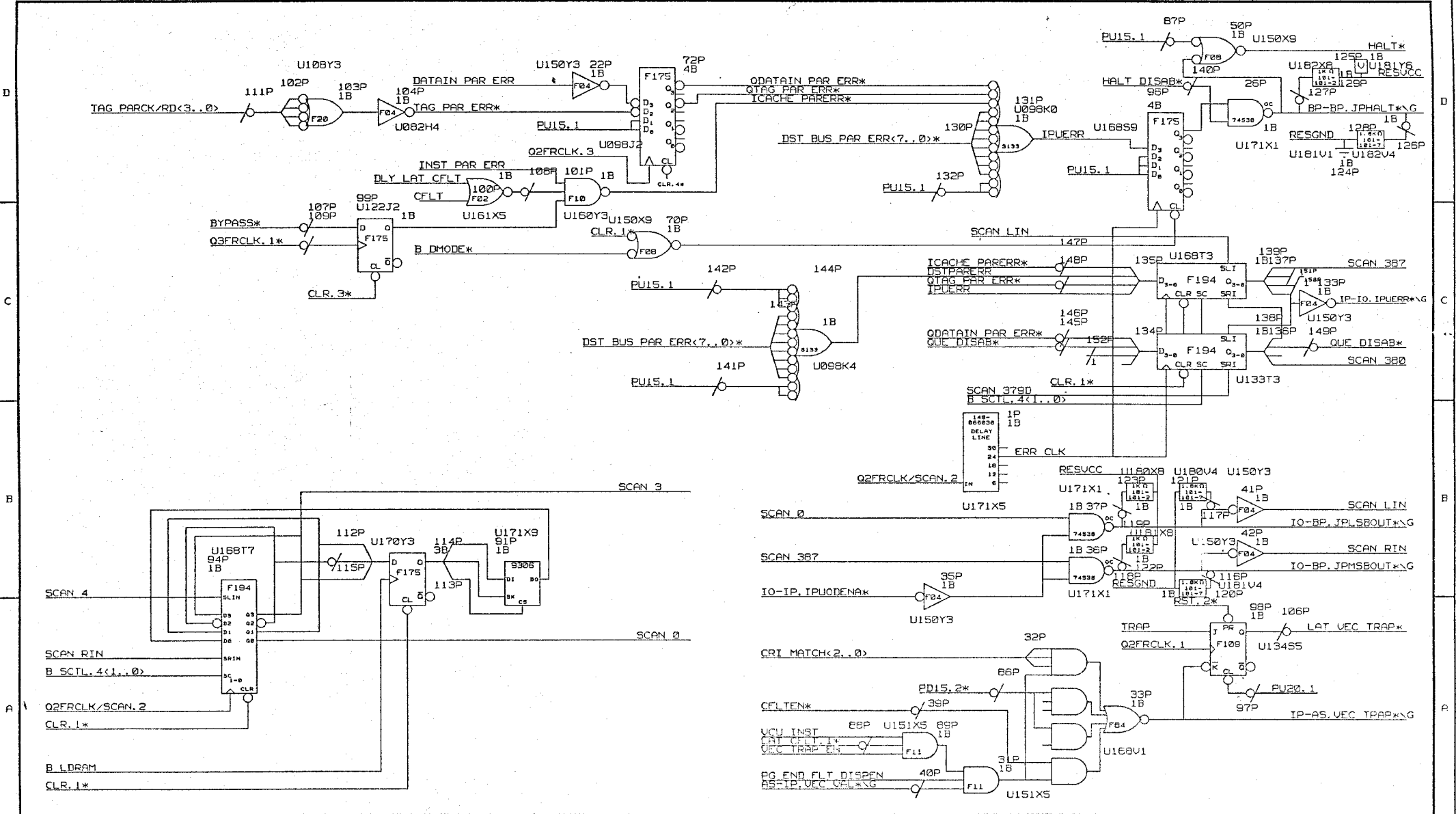


THIS DOCUMENT CONTAINS INFORMATION PROPRIETARY TO CONVEX COMPUTER CORPORATION (CONVEX). USE OR DISCLOSURE WITHOUT THE WRITTEN PERMISSION OF AN OFFICER OF CONVEX IS EXPRESSLY FORBIDDEN. COPYRIGHT (C) CONVEX 1985



CONVEX

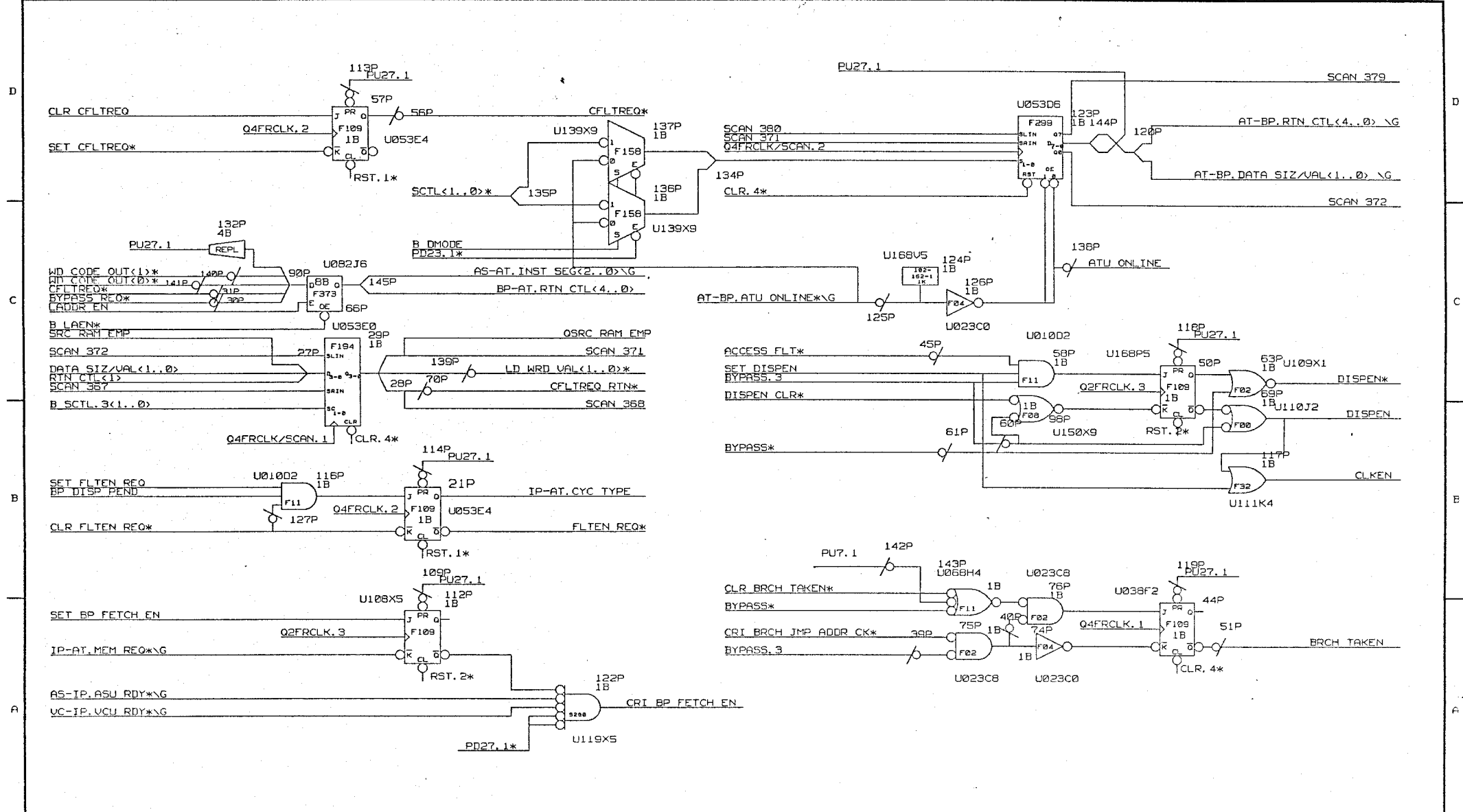
TITLE:	IPU	ASBR:	IPU
DRAWING:	410-000125-320F	ENGR:	HARRIS
REVISED:	Tue Jan 29 12:03:00 1985	PRCC:	IPU.24



THIS DOCUMENT CONTAINS INFORMATION PROPRIETARY TO CONVEX COMPUTER CORPORATION (CONVEX). USE OR DISCLOSURE WITHOUT THE WRITTEN PERMISSION OF AN OFFICER OF CONVEX IS EXPRESSLY FORBIDDEN. COPYRIGHT (C) CONVEX 1985



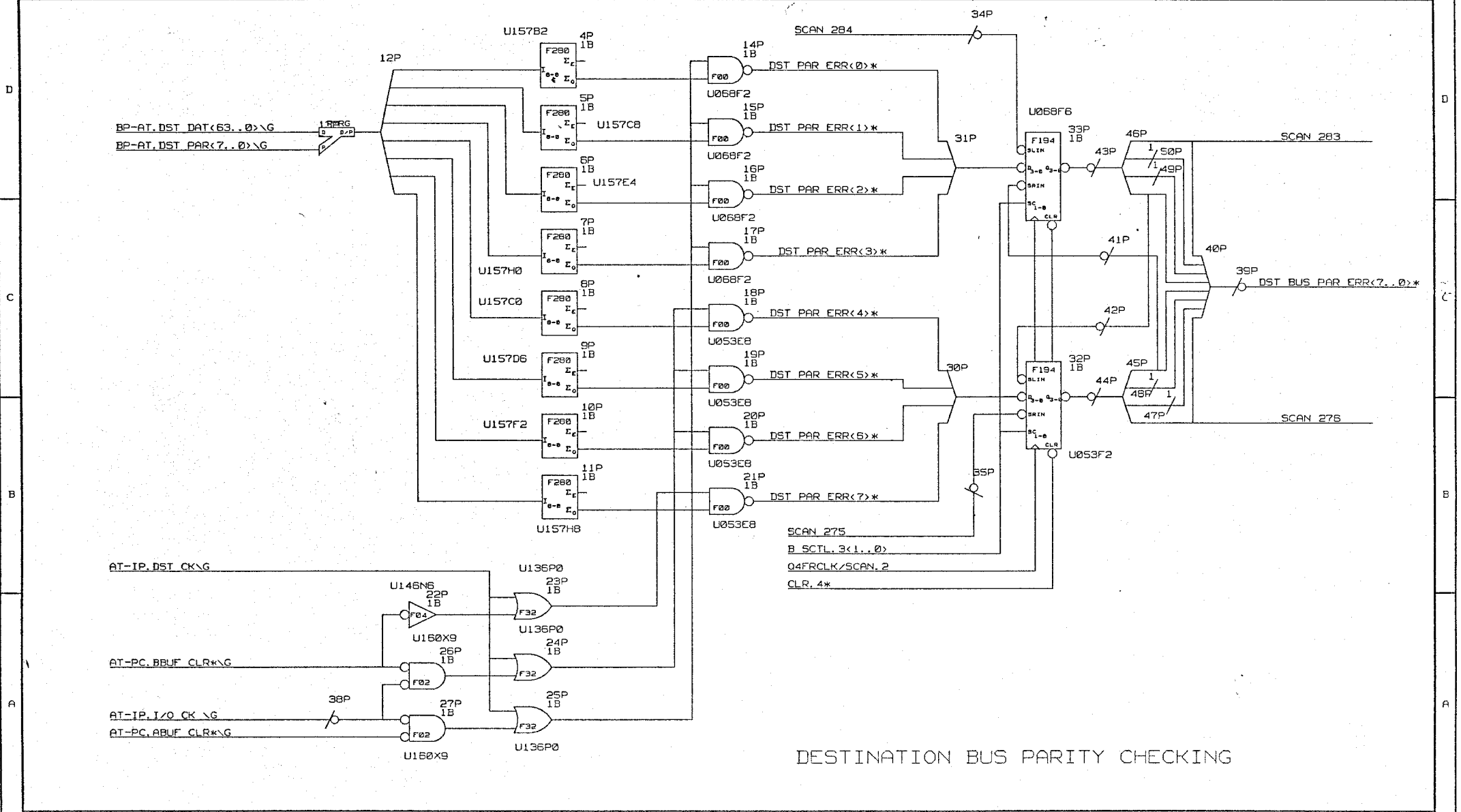
TITLE: IPU	ABBR: IPU
DRAWING: 410-000125-300F	ENGR: HARRIS
REVISED: Tue Jan 29 12:09:04 1985	PAGE: IPU.25



THIS DOCUMENT CONTAINS INFORMATION PROPRIETARY TO CONVEX COMPUTER CORPORATION (CONVEX). USE OR DISCLOSURE WITHOUT THE WRITTEN PERMISSION OF AN OFFICER OF CONVEX IS EXPRESSLY FORBIDDEN. COPYRIGHT (C) CONVEX 1985



TITLE: IPU	ASBR: IPU
DRAWING: 410-000126-300F	ENGR: HARRIS
REVISED: Tue Jan 29 12:20:04 1985	PAGE: IPU.27



THIS DOCUMENT CONTAINS INFORMATION PROPRIETARY TO CONVEX COMPUTER CORPORATION (CONVEX). USE OR DISCLOSURE WITHOUT THE WRITTEN PERMISSION OF AN OFFICER OF CONVEX IS EXPRESSLY FORBIDDEN. COPYRIGHT (C) CONVEX 1985



CONVEX

TITLE: IPU	ASBR: IPU
DRAWING: 410-000125-300F	ENGR: HARRIS
REVISED: Tue Jan 29 12:23:48 1985	PAGE: IPU.28

300-41612-396
U002E7

C	
32	CONGND\G
31	AS-IP. JMP ACK*\G
30	IP-AS. EP ADDR<5>\G
29	IP-AS. EP ADDR<2>\G
28	IP-AS. EP ADDR<0>\G
27	
26	
25	
24	CONGND\G
23	
22	
21	
20	
19	IP-AS. EP RAM ADDR<5>\G
18	IP-AS. EP RAM ADDR<2>\G
17	
16	CONGND\G
15	
14	
13	
12	
11	IP-AS. EP RAM ADDR<5>\G
10	IP-AS. EP RAM ADDR<2>\G
09	
08	CONGND\G
07	
06	
05	
04	
03	
02	
01	

B	IP
	1B
32	AS-IP. TRAP ID<1>\G
31	
30	IP-AS. EP ADDR<6>\G
29	IP-AS. EP ADDR<3>\G
28	IP-AS. EP ADDR<1>\G
27	
26	
25	
24	
23	
22	
21	
20	
19	IP-AS. EP RAM ADDR<6>\G
18	IP-AS. EP RAM ADDR<3>\G
17	IP-AS. EP RAM ADDR<0>\G
16	
15	
14	
13	
12	
11	IP-AS. EP RAM ADDR<6>\G
10	IP-AS. EP RAM ADDR<3>\G
09	IP-AS. EP RAM ADDR<0>\G
08	
07	
06	
05	
04	
03	
02	
01	

A	
32	AS-IP. TRAP ID<2>\G
31	AS-IP. TRAP ID<0>\G
30	IP-AS. EP ADDR<7>\G
29	IP-AS. EP ADDR<4>\G
28	CONGND\G
27	
26	
25	
24	
23	
22	
21	
20	CONGND\G
19	IP-AS. EP RAM ADDR<7>\G
18	IP-AS. EP RAM ADDR<4>\G
17	IP-AS. EP RAM ADDR<1>\G
16	
15	
14	
13	
12	CONGND\G
11	IP-AS. EP RAM ADDR<7>\G
10	IP-AS. EP RAM ADDR<4>\G
09	IP-AS. EP RAM ADDR<1>\G
08	
07	
06	
05	
04	CONGND\G
03	
02	
01	

FOREPLANE J2

THIS DOCUMENT CONTAINS INFORMATION PROPRIETARY TO CONVEX COMPUTER CORPORATION (CONVEX). USE OR DISCLOSURE WITHOUT THE WRITTEN PERMISSION OF AN OFFICER OF CONVEX IS EXPRESSLY FORBIDDEN. COPYRIGHT (C) CONVEX 1985



CONVEX

TITLE: IPU
DRAWING: 410-002126-302F

ADDR: IPU
ENGR: HARRIS

REVISED: Tue Jan 29 12:36:09 1985

PAGE: IPU.30

IP
300-41612-396
U18809

A	01	CONVCC \G
	02	CONVCC \G
	03	CONVCC \G
	04	CONGND \G
	05	CONGND \G
	06	CONGND \G
	07	NC
	08	AT-BP. SRC DAT<50>\G
	09	CONGND \G
	10	AT-BP. SRC DAT<55>\G
	11	BP-AT. DST DAT<49>\G
	12	BP-AT. DST DAT<52>\G
	13	BP-AT. DST DAT<55>\G
	14	AT-BP. SRC DAT<24>\G
	15	AT-BP. SRC DAT<27>\G
	16	AT-BP. SRC DAT<30>\G
	17	CONGND \G
	18	BP-AT. DST DAT<26>\G
	19	BP-AT. DST DAT<29>\G
	20	BP-AT. DST PAR<4>\G
	21	AT-BP. SRC DAT<58>\G
	22	AT-BP. SRC DAT<60>\G
	23	AT-BP. SRC DAT<63>\G
	24	BP-AT. DST DAT<57>\G
	25	CONGND \G
	26	BP-AT. DST DAT<62>\G
	27	CONGND \G
	28	CONGND \G
	29	CONGND \G
	30	CONVCC \G
	31	CONVCC \G
	32	CONVCC \G

B	01	CONVCC \G
	02	
	03	CONVCC \G
	04	CONGND \G
	05	CONGND \G
	06	CONGND \G
	07	AT-BP. SRC DAT<48>\G
	08	AT-BP. SRC DAT<51>\G
	09	AT-BP. SRC DAT<53>\G
	10	AT-BP. SRC PAR<1>\G
	11	BP-AT. DST DAT<50>\G
	12	BP-AT. DST DAT<53>\G
	13	BP-AT. DST PAR<1>\G
	14	AT-BP. SRC DAT<25>\G
	15	AT-BP. SRC DAT<28>\G
	16	AT-BP. SRC DAT<31>\G
	17	BP-AT. DST DAT<24>\G
	18	BP-AT. DST DAT<27>\G
	19	BP-AT. DST DAT<30>\G
	20	AT-BP. SRC DAT<56>\G
	21	AT-BP. SRC DAT<59>\G
	22	AT-BP. SRC DAT<61>\G
	23	AT-BP. SRC PAR<0>\G
	24	BP-AT. DST DAT<58>\G
	25	BP-AT. DST DAT<60>\G
	26	BP-AT. DST DAT<63>\G
	27	CONGND \G
	28	CONGND \G
	29	CONGND \G
	30	CONVCC \G
	31	CONVCC \G
	32	CONVCC \G

C	01	CONVCC \G
	02	CONVCC \G
	03	CONVCC \G
	04	CONGND \G
	05	CONGND \G
	06	CONGND \G
	07	AT-BP. SRC DAT<49>\G
	08	AT-BP. SRC DAT<52>\G
	09	AT-BP. SRC DAT<54>\G
	10	BP-AT. DST DAT<48>\G
	11	BP-AT. DST DAT<51>\G
	12	BP-AT. DST DAT<54>\G
	13	CONGND \G
	14	AT-BP. SRC DAT<26>\G
	15	AT-BP. SRC DAT<29>\G
	16	AT-BP. SRC PAR<4>\G
	17	BP-AT. DST DAT<25>\G
	18	BP-AT. DST DAT<28>\G
	19	BP-AT. DST DAT<31>\G
	20	AT-BP. SRC DAT<57>\G
	21	CONGND \G
	22	AT-BP. SRC DAT<62>\G
	23	BP-AT. DST DAT<56>\G
	24	BP-AT. DST DAT<59>\G
	25	BP-AT. DST DAT<61>\G
	26	BP-AT. DST PAR<0>\G
	27	CONGND \G
	28	CONGND \G
	29	CONGND \G
	30	CONVCC \G
	31	CONVCC \G
	32	CONVCC \G

CONNECTOR P1

THIS DOCUMENT CONTAINS INFORMATION PROPRIETARY TO CONVEX COMPUTER CORPORATION (CONVEX). USE OR DISCLOSURE WITHOUT THE WRITTEN PERMISSION OF AN OFFICER OF CONVEX IS EXPRESSLY FORBIDDEN. COPYRIGHT (C) CONVEX 1985



TITLE:	IPU	AEER:	IPU
DRAWING:	410-000126-302F	ENGR:	HARRIS
REVISED:	Tue Jan 29 12:38:03 1985	PAGE:	IPU.31

1P
300-41612-396
U188J8

A	
01	CONGND \G
02	AT-BP. SRC DAT<4>\G
03	AT-BP. SRC DAT<7>\G
04	BP-AT. DST DAT<1>\G
05	BP-AT. DST DAT<4>\G
06	BP-AT. DST DAT<6>\G
07	AT-BP. SRC DAT<32>\G
08	AT-BP. SRC DAT<35>\G
09	CONGND \G
10	AT-BP. SRC PAR<3>\G
11	BP-AT. DST DAT<34>\G
12	BP-AT. DST DAT<37>\G
13	BP-AT. DST PAR<3>\G
14	AT-BP. SRC DAT<9>\G
15	AT-BP. SRC DAT<12>\G
16	AT-BP. SRC DAT<15>\G
17	CONGND \G
18	BP-AT. DST DAT<11>\G
19	BP-AT. DST DAT<14>\G
20	AT-BP. SRC DAT<40>\G
21	AT-BP. SRC DAT<43>\G
22	AT-BP. SRC DAT<45>\G
23	AT-BP. SRC PAR<2>\G
24	BP-AT. DST DAT<42>\G
25	CONGND \G
26	BP-AT. DST DAT<47>\G
27	AT-BP. SRC DAT<17>\G
28	AT-BP. SRC DAT<20>\G
29	AT-BP. SRC DAT<23>\G
30	BP-AT. DST DAT<16>\G
31	BP-AT. DST DAT<19>\G
32	BP-AT. DST DAT<22>\G

B	
01	AT-BP. SRC DAT<2>\G
02	AT-BP. SRC DAT<5>\G
03	AT-BP. SRC PAR<7>\G
04	BP-AT. DST DAT<2>\G
05	BP-AT. DST DAT<5>\G
06	BP-AT. DST DAT<7>\G
07	AT-BP. SRC DAT<33>\G
08	AT-BP. SRC DAT<36>\G
09	AT-BP. SRC DAT<38>\G
10	BP-AT. DST DAT<32>\G
11	BP-AT. DST DAT<35>\G
12	BP-AT. DST DAT<38>\G
13	AT-BP. SRC DAT<8>\G
14	AT-BP. SRC DAT<10>\G
15	AT-BP. SRC DAT<13>\G
16	AT-BP. SRC PAR<6>\G
17	BP-AT. DST DAT<9>\G
18	BP-AT. DST DAT<12>\G
19	BP-AT. DST DAT<15>\G
20	AT-BP. SRC DAT<41>\G
21	AT-BP. SRC DAT<44>\G
22	AT-BP. SRC DAT<46>\G
23	BP-AT. DST DAT<40>\G
24	BP-AT. DST DAT<43>\G
25	BP-AT. DST DAT<45>\G
26	BP-AT. DST PAR<2>\G
27	AT-BP. SRC DAT<18>\G
28	AT-BP. SRC DAT<21>\G
29	AT-BP. SRC PAR<5>\G
30	BP-AT. DST DAT<17>\G
31	BP-AT. DST DAT<20>\G
32	BP-AT. DST DAT<23>\G

C	
01	AT-BP. SRC DAT<3>\G
02	AT-BP. SRC DAT<6>\G
03	BP-AT. DST DAT<0>\G
04	BP-AT. DST DAT<3>\G
05	CONGND \G
06	BP-AT. DST PAR<7>\G
07	AT-BP. SRC DAT<34>\G
08	AT-BP. SRC DAT<37>\G
09	AT-BP. SRC DAT<39>\G
10	BP-AT. DST DAT<33>\G
11	BP-AT. DST DAT<36>\G
12	BP-AT. DST DAT<39>\G
13	CONGND \G
14	AT-BP. SRC DAT<11>\G
15	AT-BP. SRC DAT<14>\G
16	BP-AT. DST DAT<8>\G
17	BP-AT. DST DAT<10>\G
18	BP-AT. DST DAT<13>\G
19	BP-AT. DST PAR<6>\G
20	AT-BP. SRC DAT<42>\G
21	CONGND \G
22	AT-BP. SRC DAT<47>\G
23	BP-AT. DST DAT<41>\G
24	BP-AT. DST DAT<44>\G
25	BP-AT. DST DAT<46>\G
26	AT-BP. SRC DAT<16>\G
27	AT-BP. SRC DAT<19>\G
28	AT-BP. SRC DAT<22>\G
29	CONGND \G
30	BP-AT. DST DAT<18>\G
31	BP-AT. DST DAT<21>\G
32	BP-AT. DST PAR<5>\G

CONNECTOR P2

THIS DOCUMENT CONTAINS INFORMATION PROPRIETARY TO CONVEX COMPUTER CORPORATION (CONVEX). USE OR DISCLOSURE WITHOUT THE WRITTEN PERMISSION OF AN OFFICER OF CONVEX IS EXPRESSLY FORBIDDEN. COPYRIGHT (C) CONVEX 1985



TITLE:	IPU	ABER:	IPU
DRAWING:	410-000126-300F	ENGR:	HARRIS
REVISED:	Tue Jan 29 12:40:02 1985	PAGE:	IPU, 32

IP
300-41612-396
U168N7

- A 01 CONGND \G
- 02 IP-AS.PC/IMM<2>* \G
- 03 IP-AS.PC/IMM<5>* \G
- 04 IP-AS.PC/IMM<8>* \G
- 05 IP-AS.PC/IMM<11>* \G
- 06 IP-AS.PC/IMM<13>* \G
- 07 IP-AS.PC/IMM<16>* \G
- 08 IP-AS.PC/IMM<19>* \G
- 09 CONGND \G
- 10 IP-AS.PC/IMM<24>* \G
- 11 IP-AS.PC/IMM<27>* \G
- 12 IP-AS.PC/IMM<30>* \G
- 13 AT-BP.DATA SIZ/VAL<0> \G
- 14 AT-BP.RTN CTL<0> \G
- 15 AT-BP.RTN CTL<3> \G
- 16
- 17 CONGND \G
- 18 BP-AT.RTN CTL<0> \G
- 19 BP-AT.RTN CTL<3> \G
- 20
- 21 BP-AT.LADDR<2> \G
- 22 BP-AT.LADDR<4> \G
- 23 BP-AT.LADDR<7> \G
- 24 BP-AT.LADDR<10> \G
- 25 CONGND \G
- 26 BP-AT.LADDR<15> \G
- 27 BP-AT.LADDR<18> \G
- 28 BP-AT.LADDR<21> \G
- 29 BP-AT.LADDR<24> \G
- 30 BP-AT.LADDR<26> \G
- 31 BP-AT.LADDR<29> \G
- 32 IP-AT.CYC TYPE \G

- B 01 IP-AS.PC/IMM<0>* \G
- 02 IP-AS.PC/IMM<3>* \G
- 03 IP-AS.PC/IMM<6>* \G
- 04 IP-AS.PC/IMM<9>* \G
- 05 IP-AS.PC/IMM<12>* \G
- 06 IP-AS.PC/IMM<14>* \G
- 07 IP-AS.PC/IMM<17>* \G
- 08 IP-AS.PC/IMM<20>* \G
- 09 IP-AS.PC/IMM<22>* \G
- 10 IP-AS.PC/IMM<25>* \G
- 11 IP-AS.PC/IMM<28>* \G
- 12 IP-AS.PC/IMM<31>* \G
- 13 AT-BP.DATA SIZ/VAL<1> \G
- 14 AT-BP.RTN CTL<1> \G
- 15 AT-BP.RTN CTL<4> \G
- 16
- 17
- 18 BP-AT.RTN CTL<1> \G
- 19 BP-AT.RTN CTL<4> \G
- 20 BP-AT.LADDR<0> \G
- 21 BP-AT.LADDR<3> \G
- 22 BP-AT.LADDR<5> \G
- 23 BP-AT.LADDR<8> \G
- 24 BP-AT.LADDR<11> \G
- 25 BP-AT.LADDR<13> \G
- 26 BP-AT.LADDR<16> \G
- 27 BP-AT.LADDR<19> \G
- 28 BP-AT.LADDR<22> \G
- 29 BP-AT.LADDR<25> \G
- 30 BP-AT.LADDR<27> \G
- 31 BP-AT.LADDR<30> \G
- 32 AT-BP.SRC DAT<0> \G

- C 01 IP-AS.PC/IMM<1>* \G
- 02 IP-AS.PC/IMM<4>* \G
- 03 IP-AS.PC/IMM<7>* \G
- 04 IP-AS.PC/IMM<10>* \G
- 05 CONGND \G
- 06 IP-AS.PC/IMM<15>* \G
- 07 IP-AS.PC/IMM<18>* \G
- 08 IP-AS.PC/IMM<21>* \G
- 09 IP-AS.PC/IMM<23>* \G
- 10 IP-AS.PC/IMM<26>* \G
- 11 IP-AS.PC/IMM<29>* \G
- 12 AS-IP.IMM SEL \G
- 13 CONGND \G
- 14 AT-BP.RTN CTL<2> \G
- 15 IP-IO.INSTCOMP \G
- 16 IO-IP.INH DISP* \G
- 17
- 18 BP-AT.RTN CTL<2> \G
- 19
- 20 BP-AT.LADDR<1> \G
- 21 CONGND \G
- 22 BP-AT.LADDR<6> \G
- 23 BP-AT.LADDR<9> \G
- 24 BP-AT.LADDR<12> \G
- 25 BP-AT.LADDR<14> \G
- 26 BP-AT.LADDR<17> \G
- 27 BP-AT.LADDR<20> \G
- 28 BP-AT.LADDR<23> \G
- 29 CONGND \G
- 30 BP-AT.LADDR<28> \G
- 31 BP-AT.LADDR<31> \G
- 32 AT-BP.SRC DAT<1> \G

CONNECTOR P3

THIS DOCUMENT CONTAINS INFORMATION PROPRIETARY TO CONVEX COMPUTER CORPORATION (CONVEX). USE OR DISCLOSURE WITHOUT THE WRITTEN PERMISSION OF AN OFFICER OF CONVEX IS EXPRESSLY FORBIDDEN. COPYRIGHT (C) CONVEX 1985



CONVEX

TITLE: IPU	ABBR: IPU
DRAWING: 410-000126-300F	ENGR: HARRIS
REVISED: Tue Jan 29 12:42:18 1985	PAGE: IPU.33

IP
300-41612-396
U188T6

- A 01 CONGND \G
- 02 CURR ADDR<31>
- 03 IP-AS. INST SEG<0>\G
- 04 IP-BP. IREG<0>\G
- 05 IP-BP. IREG<1>\G
- 06 IP-BP. IREG<2>\G
- 07 IP-AS. SEL IREG*\G
- 08 AS-IP. ASU RDY*\G
- 09 CONGND \G
- 10 CURR ADDR<30>
- 11 AS-BP. ST CONTX*\G
- 12 CURR ADDR<29>
- 13 CURR ADDR<28>
- 14 CURR ADDR<27>
- 15 CURR ADDR<26>
- 16 CURR ADDR<25>
- 17 CONGND \G
- 18 CURR ADDR<24>
- 19 IP-VC. EP ADDR<2>\G
- 20 IP-VC. EP ADDR<5>\G
- 21 CURR ADDR<23>
- 22 CURR ADDR<22>
- 23 CURR ADDR<21>
- 24 AT-IP. LD DST*\G
- 25 CONGND \G
- 26 AS-IP. JMP ADR<29>\G
- 27 CURR ADDR<20>
- 28 AS-IP. IPU INH*\G
- 29 CURR ADDR<19>
- 30 CURR ADDR<18>
- 31 AT-IP. LA EN*\G
- 32 IP-AT. MEM REQ*\G

- B 01 IP-VC. DISPATCH*\G
- 02 IP-VC. UP PSW HAZ*\G
- 03 IP-AS. INST SEG<1>\G
- 04 IP-BP. JREG<0>\G
- 05 IP-BP. JREG<1>\G
- 06 IP-BP. JREG<2>\G
- 07 IP-AS. JSREG\G
- 08 VC-IP. VCU RDY*\G
- 09 CURR ADDR<17>
- 10 AT-BP. FAULT*\G
- 11 AS-BP. LD CONTX*\G
- 12 CURR ADDR<16>
- 13 CURR ADDR<15>
- 14 CURR ADDR<14>
- 15 CURR ADDR<13>
- 16 AT-PC. ABUF CLR* \G
- 17 IP-BP. OPND SIZ<0>\G
- 18 IP-VC. EP ADDR<0>\G
- 19 IP-VC. EP ADDR<3>\G
- 20 IP-VC. EP ADDR<6>\G
- 21 CURR ADDR<12>
- 22 AT-IP. DST CK \G
- 23 AT-IP. DMODE* \G
- 24 AT-IP. SEL DST TO SRC1* \G
- 25 IP-AS. S STEP \G
- 26 AS-IP. JMP ADR<30>\G
- 27 CURR ADDR<11>
- 28 CURR ADDR<10>
- 29 CURR ADDR<9>
- 30 CURR ADDR<8>
- 31 AT-IP. LDMEM ACK*\G
- 32 IP-AT. LDMEM REQ*\G

- C 01 IP-AS. DISPATCH*\G
- 02 CURR ADDR<7>
- 03 IP-AS. INST SEG<2>\G
- 04 IP-BP. KREG<0>\G
- 05 CONGND \G
- 06 IP-BP. KREG<1>\G
- 07 IP-BP. KREG<2>\G
- 08 IP-AS. KSREG\G
- 09 CURR ADDR<6>
- 10 AS-BP. FAULT RET*\G
- 11 AS-IP. IPU SEQ*\G
- 12 CURR ADDR<5>
- 13 CONGND \G
- 14 CURR ADDR<4>
- 15 CURR ADDR<3>
- 16 AT-PC. BBUF CLR* \G
- 17 IP-BP. OPND SIZ<1>\G
- 18 IP-VC. EP ADDR<1>\G
- 19 IP-VC. EP ADDR<4>\G
- 20 IP-VC. EP ADDR<7>\G
- 21 CONGND \G
- 22 AT-IP. I/O CK \G
- 23 AT-BP. ATU ONLINE* \G
- 24 AT-IP. SEL DST TO SRC2* \G
- 25 CURR ADDR<2>
- 26 AS-IP. JMP ADR<31>\G
- 27 CURR ADDR<1>
- 28 AD CT STATE<3>*
- 29 CONGND \G
- 30 AD CT STATE<2>*
- 31 AD CT STATE<1>*
- 32 AD CT STATE<0>*

CONNECTOR P4

THIS DOCUMENT CONTAINS INFORMATION PROPRIETARY TO CONVEX COMPUTER CORPORATION (CONVEX). USE OR DISCLOSURE WITHOUT THE WRITTEN PERMISSION OF AN OFFICER OF CONVEX IS EXPRESSLY FORBIDDEN. COPYRIGHT (C) CONVEX 1985



TITLE: IPU	ASS: IPU
DRAWING: 412-000126-300F	ENGR: HARRIS
REVISED: Tue Jan 29 12:44:25 1985	PAGE: IPU.34

IP
300-41612-396
U188YS

A	
01	CONVCC \G
02	CONVCC \G
03	CONVCC \G
04	CONGND \G
05	CONGND \G
06	CONGND \G
07	
08	
09	CONGND \G
10	
11	
12	
13	
14	
15	
16	
17	CONGND \G
18	ADDR RF FULL*
19	ADDR RF EMP
20	BYPASS, 3
21	INST SIZ<1>
22	INST SIZ<0>
23	AS-IP, TRAP*\G
24	AS-AT, INST SEG<0>\G
25	CONGND \G
26	IP-AS, BR EN*\G
27	CONGND \G
28	CONGND \G
29	CONGND \G
30	CONVCC \G
31	CONVCC \G
32	CONVCC \G

B	
01	CONVCC \G
02	CONVCC \G
03	CONVCC \G
04	CONGND \G
05	CONGND \G
06	CONGND \G
07	IO-IP, IPU20MHZ\G
08	IO-IP, IPUMPHASE\G
09	NC
10	IP-IO, IPUERR*\G
11	IO-IP, IPUODENA*\G
12	IO-BP, JPDMODE*\G
13	IO-BP, JPSCTL<0>*\G
14	IO-BP, JPSCTL<1>*\G
15	IO-BP, JPLDRAM*\G
16	IO-BP, JPCLEAR*\G
17	IO-BP, JPMSBOUT*\G
18	IO-BP, JPLSBOUT*\G
19	BP-BP, JPHALT*\G
20	AT-IP, TRAP EN* \G
21	
22	AS-AT, INST SEG<1>\G
23	IP-AS, INST DISP*\G
24	CACHE HIT*
25	AS-IP, VEC VAL*\G
26	CRI AS-IP, TAKE BR*\G
27	CONGND \G
28	CONGND \G
29	CONGND \G
30	CONVCC \G
31	CONVCC \G
32	CONVCC \G

C	
01	CONVCC \G
02	CONVCC \G
03	CONVCC \G
04	CONGND \G
05	CONGND \G
06	CONGND \G
07	
08	
09	
10	
11	
12	
13	CONGND \G
14	
15	
16	
17	
18	
19	
20	
21	CONGND \G
22	AS-AT, INST SEG<2>\G
23	AS-IP, PLURGE ICAC*\G
24	CACHE FLT*
25	IP-AS, VEC TRAP*\G
26	AS-IP, BR HAZ*\G
27	CONGND \G
28	CONGND \G
29	CONGND \G
30	CONVCC \G
31	CONVCC \G
32	CONVCC \G

CONNECTOR P5

THIS DOCUMENT CONTAINS INFORMATION PROPRIETARY TO CONVEX COMPUTER CORPORATION (CONVEX). USE OR DISCLOSURE WITHOUT THE WRITTEN PERMISSION OF AN OFFICER OF CONVEX IS EXPRESSLY FORBIDDEN. COPYRIGHT (C) CONVEX 1985



CONVEX

TITLE: IPU	ABBR: IPU
DRAWING: 410-000126-300F	ENGR: HARRIS
REVISED: Tue Jan 29 12:46:13 1985	PAGE: IPU.35

8 7 6 5 4 3 2 1

300-41612-396

U002K6

1P
1B

C

32

31

30

29

28

27

26

25

24

23

22

21

20

19

18

17

16

15

14

13

12

11

10

09

08

07

06

05

04

03

02

01

B

32

31

30

29

28

27

26

25

24

23

22

21

20

19

18

17

16

15

14

13

12

11

10

09

08

07

06

05

04

03

02

01

IC ST<3>*

IC ST<2>*

IC ST<1>*

IC ST<0>*

A

32

31

30

29

28

27

26

25

24

23

22

21

20

19

18

17

16

15

14

13

12

11

10

09

08

07

06

05

04

03

02

01

GARBAGE TEST POINT CONNECTOR FOREPLANE J3

THIS DOCUMENT CONTAINS INFORMATION PROPRIETARY TO CONVEX COMPUTER CORPORATION (CONVEX). USE OR DISCLOSURE WITHOUT THE WRITTEN PERMISSION OF AN OFFICER OF CONVEX IS EXPRESSLY FORBIDDEN. COPYRIGHT (C) CONVEX 1985



CONVEX

TITLE: IPU

DRAWING: 410-000125-300F

REVISED: Tue Jan 29 12:47:14 1985

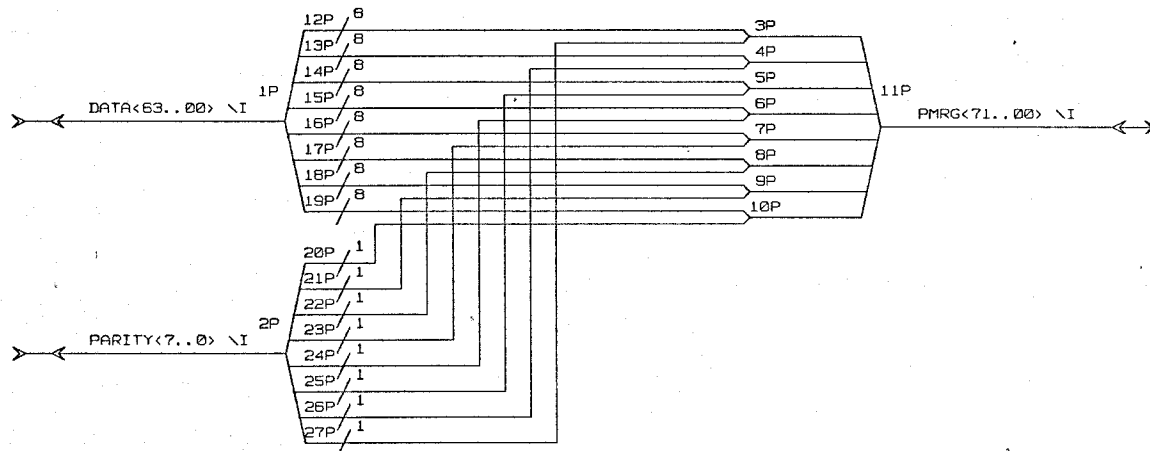
ABBR: IPU

ENGR: HARRIS

PAGE:

IPU.36

8 7 6 3 2 1



DEFINE
X_FIRST=0
X_STEP=SIZE

THIS DOCUMENT CONTAINS INFORMATION PROPRIETARY TO CONVEX COMPUTER CORPORATION (CONVEX). USE OR DISCLOSURE WITHOUT THE WRITTEN PERMISSION OF AN OFFICER OF CONVEX IS EXPRESSLY FORBIDDEN. COPYRIGHT (C) CONVEX 1985



CONVEX

TITLE: PMRG
DRAWING: 410-000126-300F

ABBR: PMRG
ENGR: CHASTAIN

REVISED: Tue Jan 29 10:55:50 1985 | PAGE: PMRG.1 OF 1